

LELY

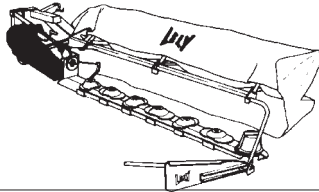
OPTIMO	type number type number numéro de type Typnummer	vanaf serienummer as from serial number après numéro de série ab Seriennummer
240	4.1203.0000.1 4.1203.0001/2.1 4.1203.0004.1 4.1203.0005.1	960 - 0501 980 - 0501 1010 - 0501 10112 - 0501
280	4.1210.0000.1 4.1210.0001/2.1 4.1210.0004.1 4.1210.0005.1	960 - 0501 981 - 0501 1011 - 0501 10112 - 0501
320	4.1219.000.1	972 - 0501

EM2

**Inhoud
Contents
Index
Inhalt**

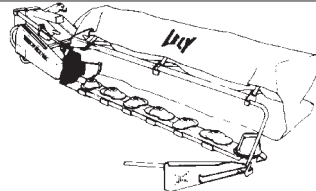
OPTIMO

**pagina
page
page
Seite**



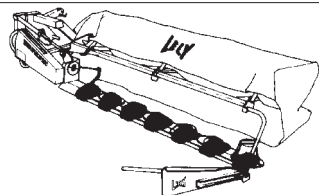
Snaaraandrijving
V-belt drive
Entraînement à courroies
Keilriemenantrieb

01



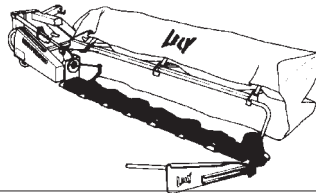
Tandwielkast
Gearbox
Boîte d'engrenages
Getriebe

02



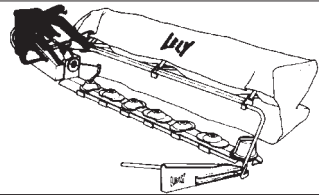
Maaielementen
Cutting units
Unités de fauchage
Mäh-Einheiten

03



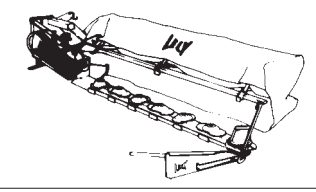
Maaibalk
Cutter bar
Barre de coupe
Mähbalken

04



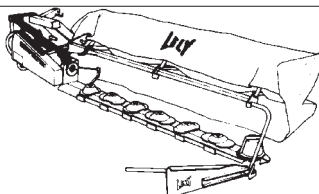
Driepuntsbok + freem
Headstock + frame
Tête d'attelage + châssis
Dreipunktturm + Rahmen

05



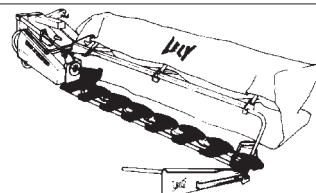
Uitslagbeveiliging
Anti-shock device
Dispositif anti-choc
Ausklinkvorrichtung

06



Hydraulische cilinder
Hydraulic ram
Vérin hydraulique
Hydraulikzylinder

07



Glijsloten + slijtplaten
Skids + wear plates
Patins + plaques d'usure
Kufen + Verschleissplatten

08

LELY

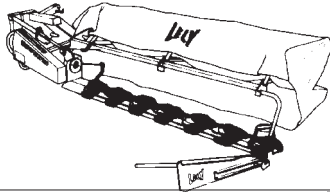
OPTIMO	type number type number numéro de type Typnummer	vanaf serienummer as from serial number après numéro de serie ab Seriennummer
240	4.1203.0000.1 4.1203.0001/2.1 4.1203.0004.1 4.1203.0005.1	960 - 0501 980 - 0501 1010 - 0501 10112 - 0501
280	4.1210.0000.1 4.1210.0001/2.1 4.1210.0004.1 4.1210.0005.1	960 - 0501 981 - 0501 1011 - 0501 10112 - 0501
320	4.1219.000.1	972 - 0501

EM2

Inhoud
Contents
Index
Inhalt

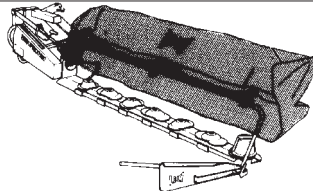
OPTIMO

pagina
page
page
Seite



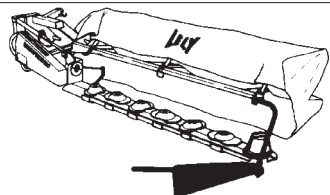
Maaibalkbescherming
Cutter bar protection
Protection-barre
Mähwerkschutz

09



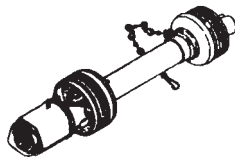
Beveiligingsfreem
Protection frame
Châssis de protection
Schutzrahmen

10



Zwadbord + eindsteun
Swath board + end support
Planche à andain + support final
Swadbrett + Endstütze

11

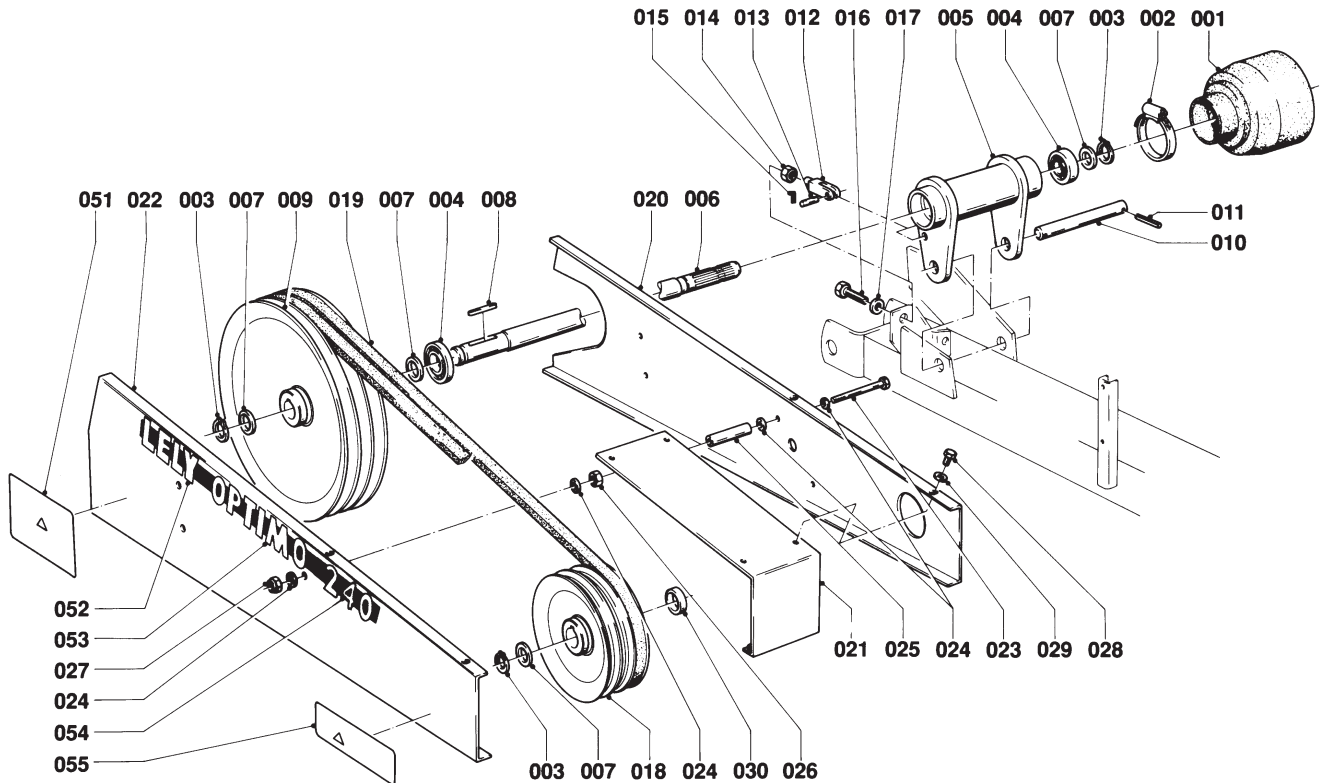
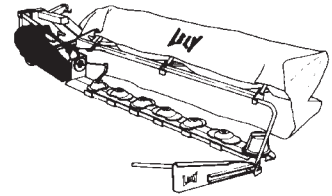


Koppelingsas
PTO shaft
Arbre de transmission
Gelenkwelle

12

LELY

OPTIMO	type nummer type number numéro de type Typnummer	vanaf serienummer as from serial number après numéro de serie ab Seriennummer
240	4.1203.0000.1	948 - 5327
280	4.1210.0000.1	947 - 0501
320	4.1219.0000.1	972 - 0501



E001-06-01

REF.	ONDERDEELNR. PART NUMBER REFERENCE TEILNUMMER	AANTAL QUANTITY QUANTITE ANZAHL
------	--	--

001	9.1161.0014.0	1
002	9.1066.0010*0	1
003	9.1119.0019.5	3
004	9.1001.0087.2	2
005	4.1201.0522.0	1
	4.1280.1062.0	1
006	4.1201.0498.0	1
007	9.1052.0006.3	4
008	9.1071.0037.1	1
009	4.1203.0527.0	1
010	4.1201.1478.0	1
011	9.1070.0023*2	2
012	9.1038.0006*3	1
013	4.1201.1471.0	1
014	9.1029.0008*0	1
015	9.1070.0017*3	2
016	9.1113.0061*4	1
017	9.1048.0012*6	1
018	4.1203.1497.0	1
019	9.1075.0002.4	4
	9.1075.0012.0	4
020	4.1201.1485.0	1
	4.1207.0618.0	1
021	4.1201.0500.0	1
022	4.1201.1486.0	1
	4.1210.1493.0	1

REF.	ONDERDEELNR. PART NUMBER REFERENCE TEILNUMMER	AANTAL QUANTITY QUANTITE ANZAHL
------	--	--

023	9.1113.0123*3	4
024	9.1049.0018.4	16
025	4.1201.1497.0	4
026	9.1029.0005*4	4
027	9.1030.0004*2	4
028	9.1113.0013*5	6
029	9.1051.0001*6	6
030	4.1201.1496.0	1
051	9.1170.0124.3	1
052	9.1170.0253.6	1
053	9.1170.0255.1	1
054	9.1170.0256.2	1
	9.1170.0259.5	1
	9.1170.0270.2	1
055	9.1170.0052.1	1

M10x140 DIN 931-8.8

Nylon [—/—]

M10 DIN 934-8

M10 DIN 985-8

M8x16 DIN 933-8.8

A8,4 DIN 6798 [//////]

"NEEM VEILIGHEID IN ACHT"

"LELY"

"OPTIMO"

"240"

"280"

"320"

"LET OP DRAAIENDE DELEN"

M12x80 DIN 933-8.8

A13 DIN 125 [—/—]

OPTIMO 240/280 2360

OPTIMO 320 SF 2650

OPTIMO 240/280

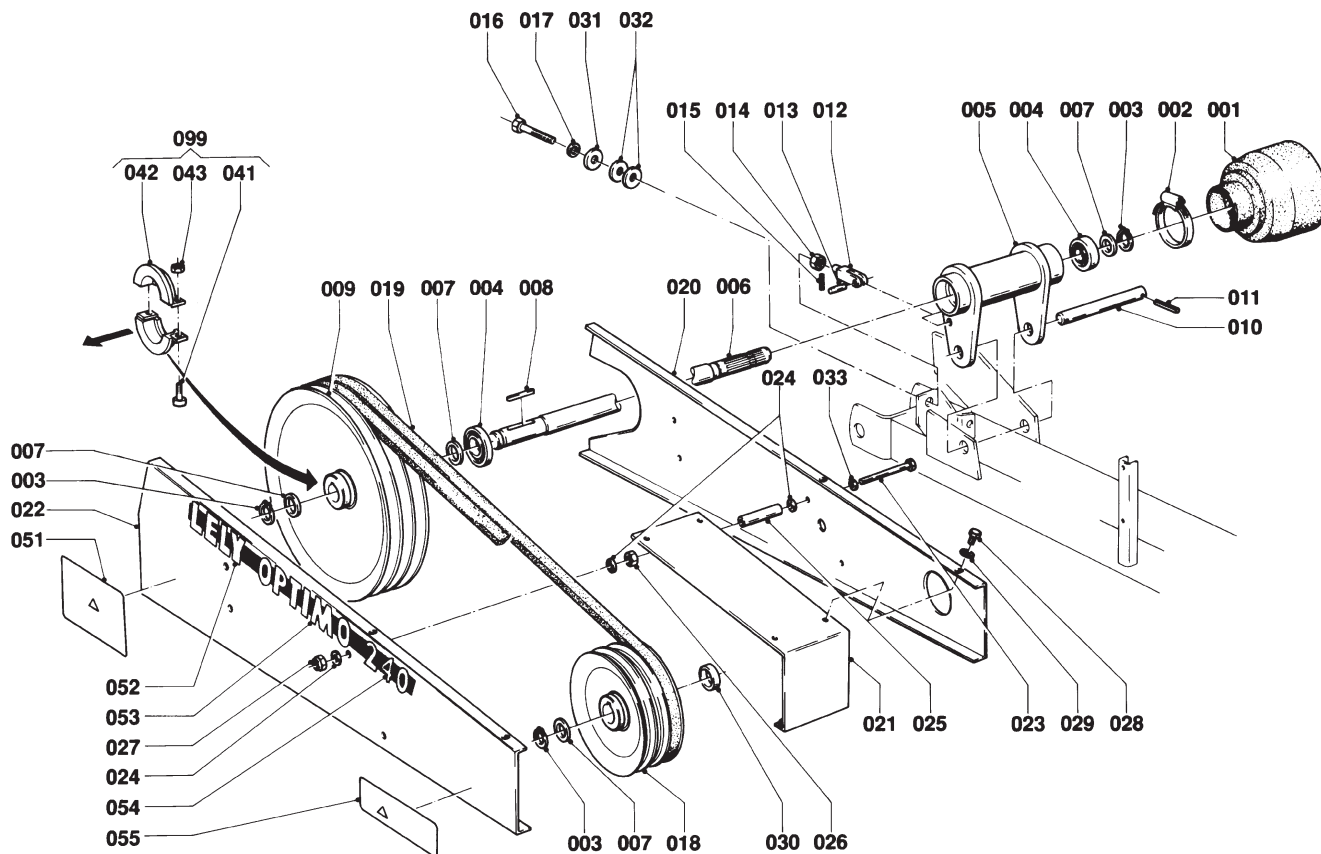
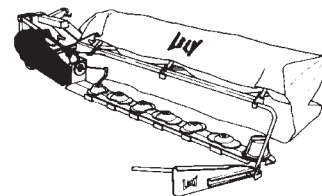
OPTIMO 320

240/280 L= 925 mm

320 L= 1040 mm

LELY

OPTIMO	type number type number numéro de type Typnummer	vanaf serienummer as from serial number après numéro de serie ab Seriennummer
240	4.1203.0000.1	980 - 0501
	4.1203.0001.1	980 - 0501
	4.1203.0002.1	997 - 0501
280	4.1210.0001.1	981 - 0501
	4.1210.0002.1	997 - 0501



E001-09-01

REF.	ONDERDEELNR. PART NUMBER REFERENCE TEILNUMMER	AANTAL QUANTITY QUANTITE ANZAHL
------	--	--

001	9.1161.0014.0	1
002	9.1066.0010*0	1
003	9.1119.0019.5	3
004	9.1001.0087.2	2
005	4.1201.0522.0	1
006	4.1201.0498.0	1
007	9.1052.0006.3	4
008	9.1071.0037.1	1
009	4.1203.0527.0	1
010	4.1201.1478.0	1
011	9.1070.0023*2	2
012	9.1038.0006*3	1
013	4.1201.1471.0	1
014	9.1029.0008*0	1
015	9.1070.0018*4	2
016	9.1113.0273*6	1
017	9.1048.0012*6	1
018	4.1203.1497.0	1
019	9.1075.0003.5	4
020	4.1207.0618.0	1
021	4.1201.0500.0	1
022	4.1210.1493.0	1
023	9.1113.0143*2	4
024	9.1049.0018.4	12
025	4.1201.1463.0	4

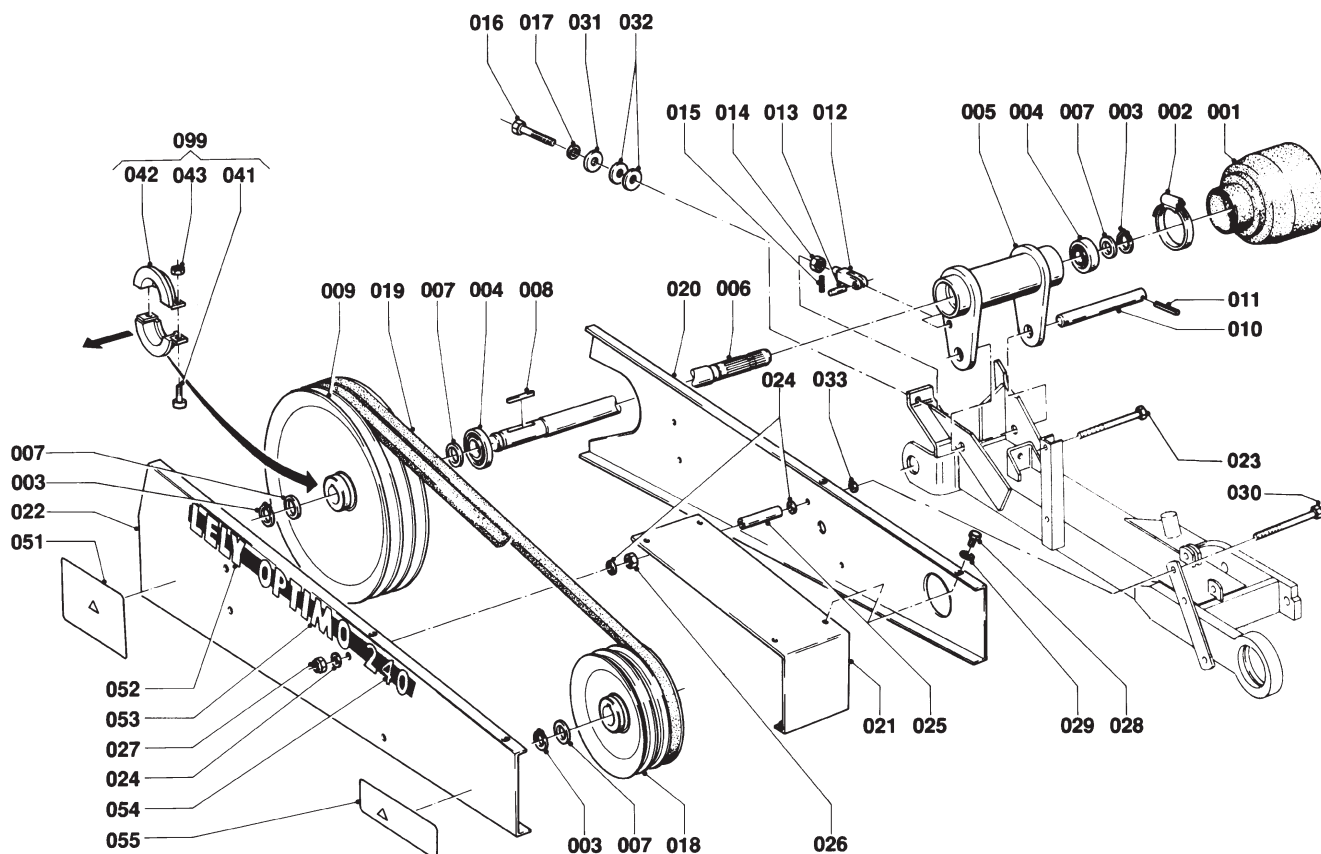
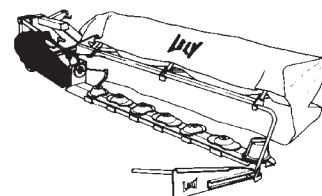
REF.	ONDERDEELNR. PART NUMBER REFERENCE TEILNUMMER	AANTAL QUANTITY QUANTITE ANZAHL
------	--	--

026	9.1029.0005*4	4
027	9.1030.0004*2	4
028	9.1113.0013*5	6
029	9.1051.0001*6	6
030	4.1201.1496.0	1
031	9.1048.0041*0	1
032	9.1048.0067.5	2
033	9.1048.0047.6	4
041	9.1057.0003*2	2
042	4.1201.2310.0	2
043	9.1029.0004*3	2
051	9.1170.0124.3	1
052	9.1170.0253.6	1
053	9.1170.0255.1	1
054	9.1170.0256.2	1
	9.1170.0259.5	1
055	9.1170.0052.1	1
099	4.1201.2300.0	1

= REF. 041-043
Hulpstuk voor pulley-trekker
Attachment for pulley puller
Access. d' extracteur-poulie
Zubehör für Abzieher

LELY

OPTIMO	type number type number numéro de type Typnummer	vanaf serienummer as from serial number après numéro de série ab Seriennummer
240	4.1203.0004.1	1010 - 0501
280	4.1210.0004.1	1011 - 0501



E001-09-11

REF.	ONDERDEELNR. PART NUMBER REFERENCE TEILNUMMER	AANTAL QUANTITY QUANTITE ANZAHL
------	--	--

001	9.1161.0014.0	1
002	9.1066.0010*0	1
003	9.1119.0019.5	3
004	9.1001.0087.2	2
005	4.1225.0420.0	1
006	4.1201.0498.0	1
007	9.1052.0006.3	4
008	9.1071.0037.1	1
009	4.1203.0527.0	1
010	4.1225.1494.0	1
011	9.1070.0023*2	2
012	9.1038.0006*3	1
013	4.1201.1471.0	1
014	9.1029.0008*0	1
015	9.1070.0018*4	2
016	9.1113.0273*6	1
017	9.1048.0012*6	1
018	4.1219.1499.0	1
019	9.1075.0003.5	4
020	4.1207.0618.0	1
021	4.1229.0170.0	1
022	4.1210.1493.0	1
023	9.1113.0143*2	2
024	9.1049.0018.4	12
025	4.1229.1498.0	4

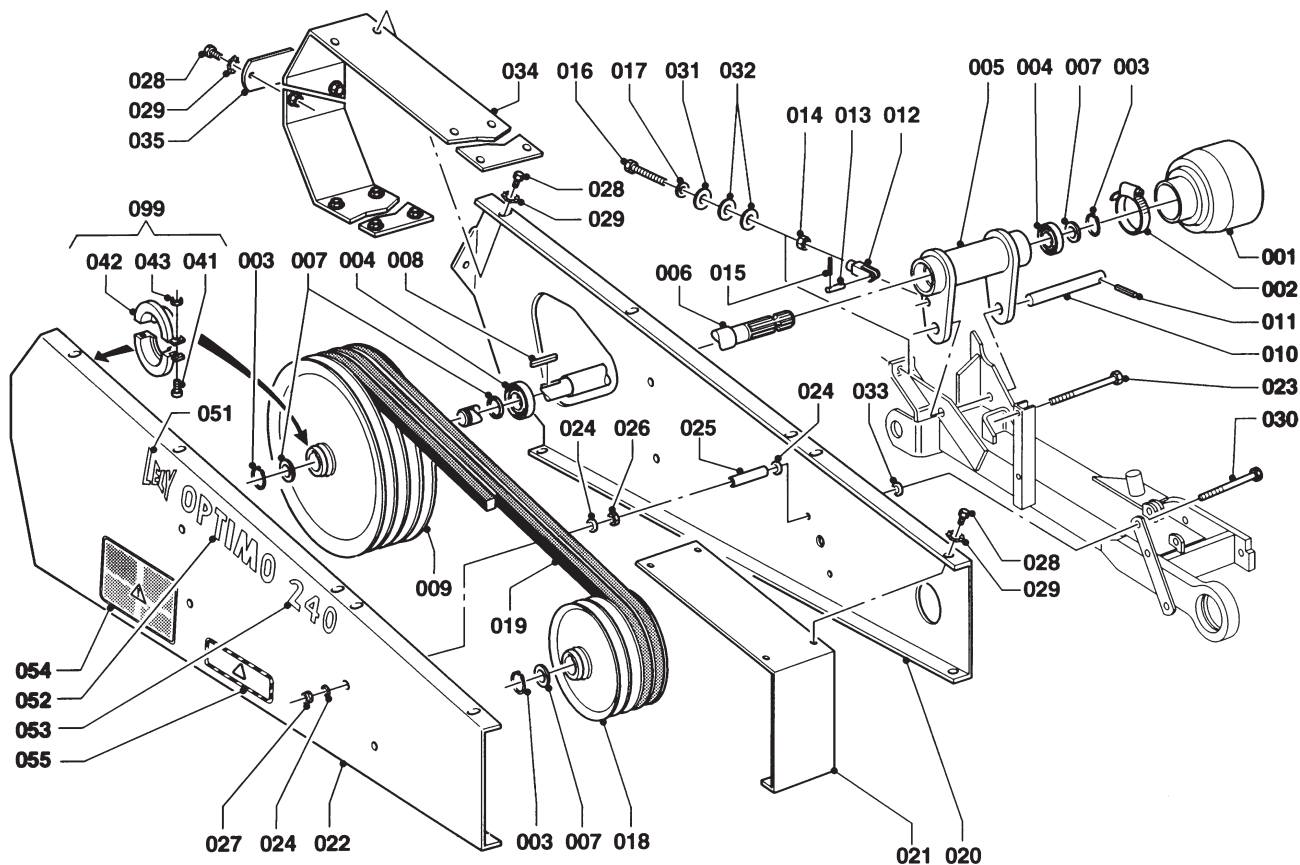
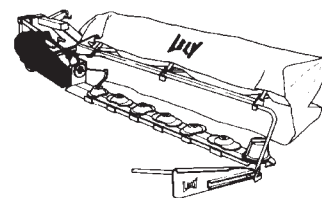
REF.	ONDERDEELNR. PART NUMBER REFERENCE TEILNUMMER	AANTAL QUANTITY QUANTITE ANZAHL
------	--	--

026	9.1029.0005*4	4
027	9.1030.0004*2	4
028	9.1113.0013*5	6
029	9.1051.0001*6	6
030	9.1113.0292*4	2
031	9.1048.0041*0	1
032	9.1048.0067.5	2
033	9.1048.0047.6	4
041	9.1057.0003.2	2
042	4.1201.2310.0	2
043	9.1029.0004*3	2
051	9.1170.0124.3	1
052	9.1170.0253.6	1
053	9.1170.0255.1	1
054	9.1170.0256.2	1
	9.1170.0259.5	1
055	9.1170.0052.1	1
099	4.1201.2300.0	1

= REF. 041-043
Hulpstuk voor pulley-trekker
Attachment for pulley puller
Access. d' extracteur-poulie
Zubehör für Abzieher

LELY

OPTIMO	type number type number numéro de type Typnummer	vanaf serienummer as from serial number après numéro de série ab Seriennummer
240	4.1203.0005.1	10112 - 0501
280	4.1210.0005.1	10112 - 0501



E001-10-00

REF.	ONDERDEELNR. PART NUMBER REFERENCE TEILNUMMER	AANTAL QUANTITY QUANTITE ANZAHL
------	--	--

001	9.1161.0014.0	1
002	9.1066.0010*0	1
003	9.1119.0019.5	3
004	9.1001.0087.2	2
005	4.1225.0420.0	1
006	4.1201.0498.0	1
007	9.1052.0006.3	4
008	9.1071.0037.1	1
009	4.1203.0527.0	1
010	4.1225.1494.0	1
011	9.1070.0023.2	2
012	9.1038.0006*3	1
013	4.1201.1471.0	1
014	9.1029.0008*0	1
015	9.1070.0018.4	2
016	9.1113.0273*6	1
017	9.1048.0012*6	1
018	4.1219.1499.0	1
019	9.1075.0003.5	4
020	4.1207.0623.0	1
021	4.1229.0170.0	1
022	4.1210.1488.0	1
023	9.1113.0143*2	2
024	9.1049.0018.4	12
025	4.1229.1498.0	4

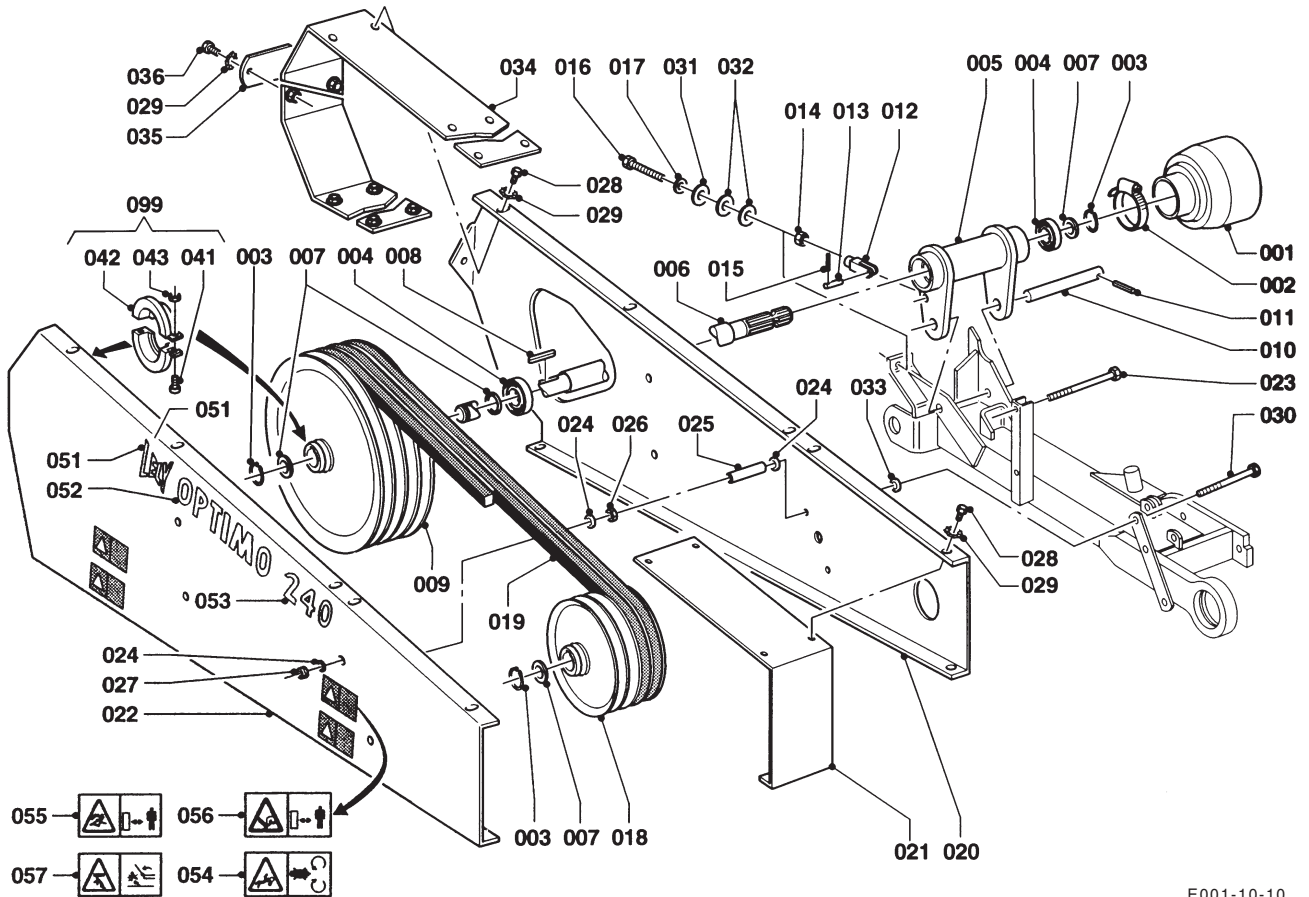
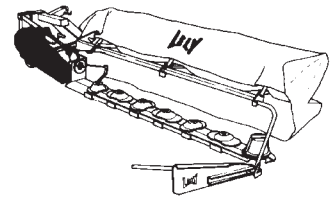
REF.	ONDERDEELNR. PART NUMBER REFERENCE TEILNUMMER	AANTAL QUANTITY QUANTITE ANZAHL
------	--	--

026	9.1029.0005*4	4
027	9.1030.0004*2	4
028	9.1113.0013*5	20
029	9.1051.0001*6	20
030	9.1113.0292*4	2
031	9.1048.0041*0	1
032	9.1048.0067.5	2
033	9.1048.0047.6	4
034	4.1207.0660.0	2
035	4.1207.0624.0	1
041	9.1057.0003.2	2
042	4.1201.2310.0	2
043	9.1029.0004*3	2
051	9.1170.0200.2	1
052	9.1170.0371.5	1
053	9.1170.0348.3	1
	9.1170.0347.2	1
054	9.1170.0124.3	1
055	9.1170.0052.1	1
099	4.1201.2300.0	1

= REF. 041-043
Hulpstuk voor pulley-trekker
Attachment for pulley puller
Access. d' extracteur-poulie
Zubehör für Abzieher

LELY

OPTIMO	type number type number numéro de type Typnummer	vanaf serienummer as from serial number après numéro de serie ab Seriennummer
240	4.1203.0005.1	10302 - 0676



E001-10-10

REF.	ONDERDEELNR. PART NUMBER REFERENCE TEILNUMMER	AANTAL QUANTITY QUANTITE ANZAHL
------	--	--

001	9.1161.0028.0	1
002	9.1066.0010*0	1
003	9.1119.0019.5	3
004	9.1001.0087.2	2
005	4.1225.0420.0	1
006	4.1201.0498.0	1
007	9.1052.0006.3	4
008	9.1071.0037.1	1
009	4.1203.0527.0	1
010	4.1225.1494.0	1
011	9.1070.0023.2	2
012	9.1038.0006*3	1
013	4.1201.1471.0	1
014	9.1029.0008*0	1
015	9.1070.0018.4	2
016	9.1113.0273*6	1
017	9.1048.0012*6	1
018	4.1219.1499.0	1
019	9.1075.0003.5	4
020	4.1207.0623.0	1
021	4.1229.0170.0	1
022	4.1210.1488.0	1
023	9.1113.0143*2	2
024	9.1049.0018.4	12
025	4.1229.1498.0	4
026	9.1029.0005*4	4
027	9.1030.0004*2	4

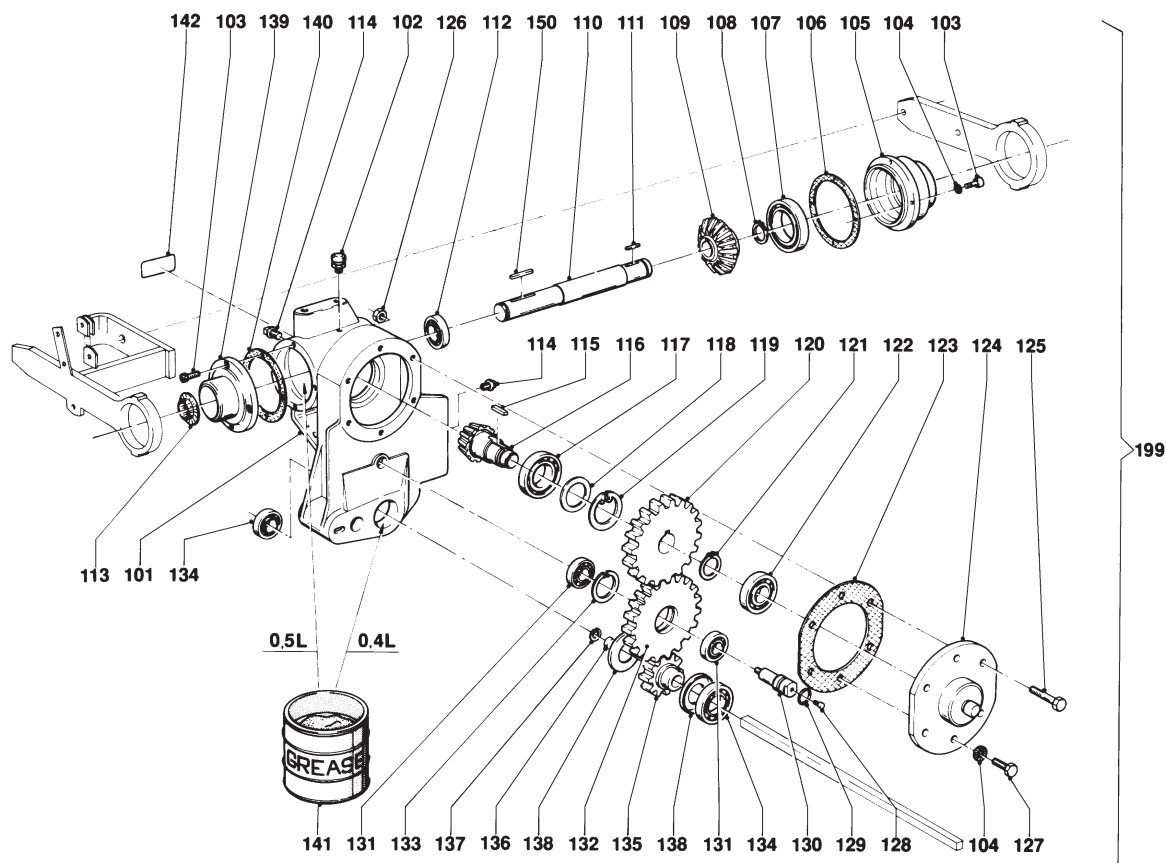
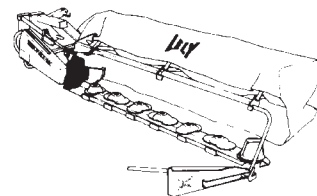
REF.	ONDERDEELNR. PART NUMBER REFERENCE TEILNUMMER	AANTAL QUANTITY QUANTITE ANZAHL
------	--	--

028	9.1113.0267*0	18
029	9.1051.0001.6	20
030	9.1113.0292*4	2
031	9.1048.0041*0	1
032	9.1048.0067.5	2
033	9.1048.0047.6	4
034	4.1207.0660.0	2
035	4.1207.0624.0	1
036	9.1113.0014*6	2
041	9.1057.0003.2	2
042	4.1201.2310.0	2
043	9.1029.0004*3	2
051	9.1170.0200.2	1
052	9.1170.0371.5	1
053	9.1170.0348.3	1
054	9.1170.0407.6	1
055	9.1170.0410.2	1
056	9.1170.0419.4	1
057	9.1170.0420.5	1
099	4.1201.2300.0	1

= REF. 041-043
Hulpstuk voor pulley-trekker
Attachment for pulley puller
Access. d' extracteur-poulie
Zubehör für Abzieher

LELY

OPTIMO	type number type number numéro de type Typnummer	vanaf serienummer as from serial number après numéro de série ab Seriennummer
240	4.1203.0000.1	956 - 5554
280	4.1210.0000.1	954 - 0726



E002-08-00

REF.	ONDERDEELNR. PART NUMBER REFERENCE TEILNUMMER	AANTAL QUANTITY QUANTITE ANZAHL
------	--	--

101	4.1201.0301.0	1
102	4.1201.1472.0	1
103	9.1057.0010.2	8
104	9.1051.0002*0	7
105	4.1201.0303.0	1
106	4.1201.0311.0	1
107	9.1001.0067.3	1
108	9.1119.0019.5	1
109	4.1201.0314.0	1
110	4.1201.0304.0	1
111	9.1071.0021.6	1
112	9.1001.0087.2	1
113	9.1106.0009.1	1
114	9.1131.0001.3	2
115	9.1071.0039.3	1
116	4.1201.0321.0	1
117	9.1001.0059.2	1
118	4.1201.0310.0	1
119	9.1120.0014.6	1
120	4.1201.0320.0	1
121	9.1119.0020.6	1
122	9.1001.0019.4	1
123	4.1201.0325.0	1
124	4.1201.0290.0	1
	9.1150.0008.5	-

REF.	ONDERDEELNR. PART NUMBER REFERENCE TEILNUMMER	AANTAL QUANTITY QUANTITE ANZAHL
------	--	--

125	9.1113.0156*1	1
126	9.1030.0004*2	3
127	9.1113.0027.5	3
128	9.1108.0034.3	1
129	9.1043.0013.5	1
130	4.1201.0306.0	1
131	9.1001.0090.5	2
132	4.1201.0307.0	1
133	9.1120.0002.1	1
134	9.1001.0068.4	2
135	4.1201.0317.0	1
136	4.1201.0329.0	1
137	9.1120.0028.6	1
138	9.1107.0009.0	2
139	4.1201.0302.0	1
140	4.1201.0328.0	1
141	9.1171.0007.4	0,9L
	9.1171.0034.3	-
142	9.1170.0064.6	1
150	9.1071.0033.4	1
199	4.1201.0280.0	1

M10x85 DIN 931-8.8

M10 DIN 985-8

M10x20 DIN 933-8.8

R1/8"

OR 22x1,5

M12-L

6204 C3

42x1,75 DIN 472

6205 2RS-2-C4

A10x8x63 DIN 6885

6207 2RS-1-C3

Z207

R1/2"

B12x8x25 DIN 6885

6210 2RS

90x3,00 DIN 472

42x1,75 DIN 471

6206

18x1,00 DIN 472

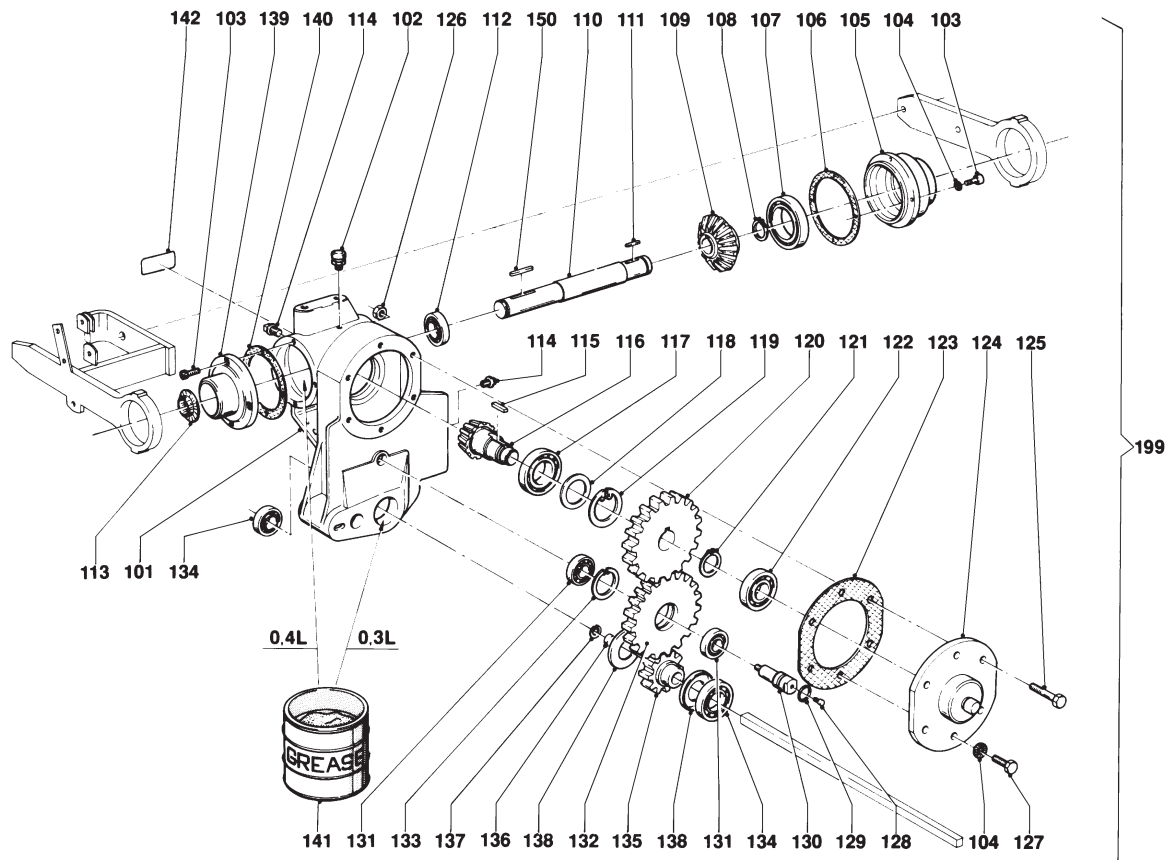
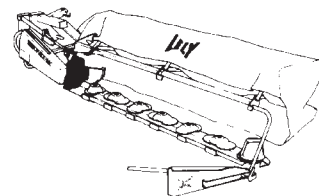
6205 ZAV

A10x8x70 DIN 6885

= REF. 101-142

LELY

OPTIMO	type number type number numéro de type Typnummer	vanaf serienummer as from serial number après numéro de série ab Seriennummer
240	4.1203.0000.1 4.1203.0001.1	970 - 0501 980 - 0501
280	4.1210.0000.1 4.1210.0001.1	970 - 0501 981 - 0501
320	4.1219.0000.1	972 - 0501



E002-08-01

REF.	ONDERDEELNR. PART NUMBER REFERENCE TEILNUMMER	AANTAL QUANTITY QUANTITE ANZAHL
------	--	--

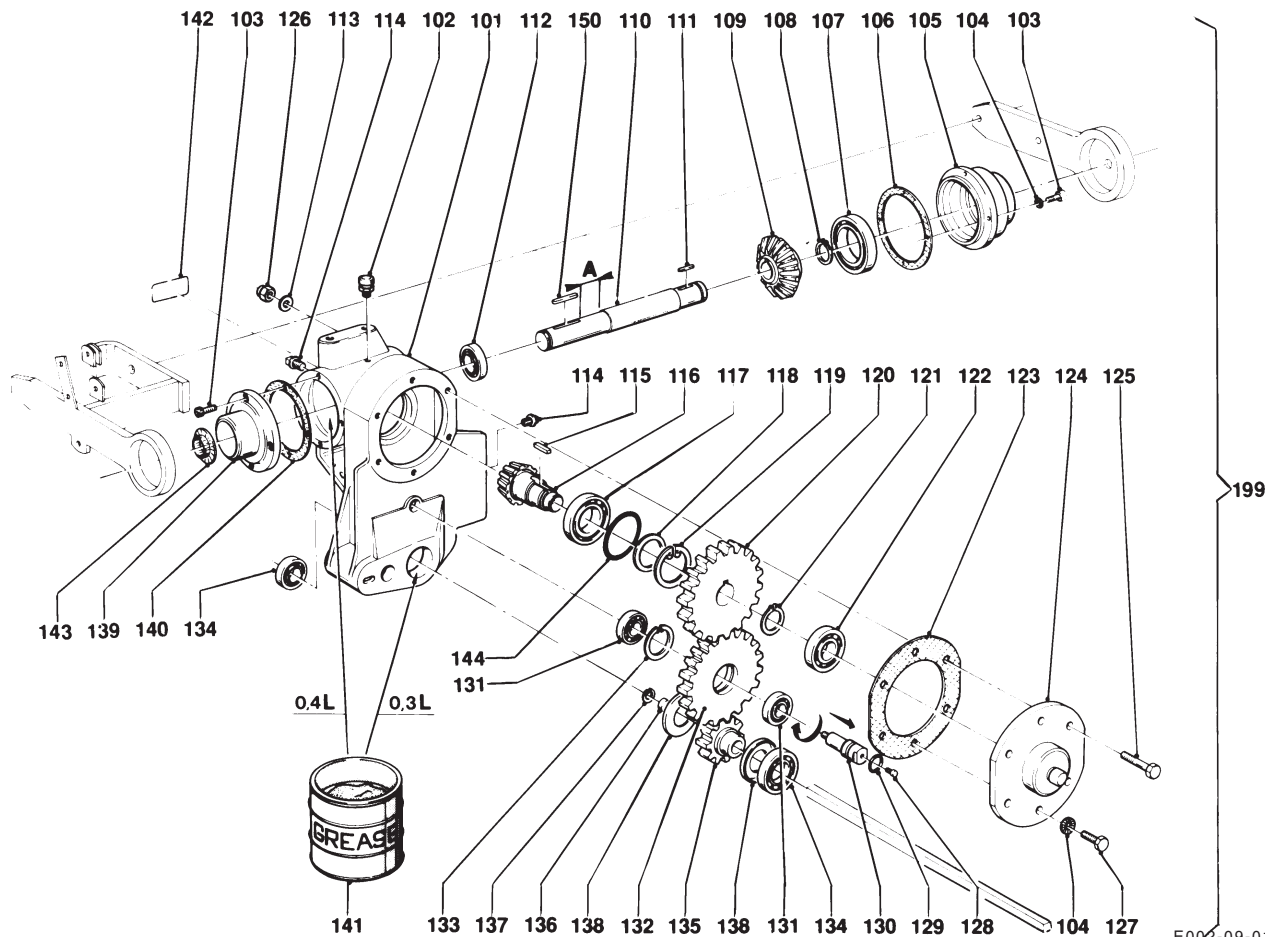
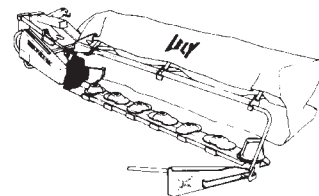
101	4.1201.0301.0	1
102	4.1201.1472.0	1 R1/4" SLW 16
103	9.1057.0010.2	8 M10x25 DIN 912-12.9
104	9.1051.0002*0	7 A10,5 DIN 6798 [//////]
105	4.1201.0303.0	1
106	4.1201.0311.0	1 [D+D]
107	9.1001.0067.3	1 16016
108	9.1119.0019.5	1 35x2,50 DIN 471
109	4.1201.0314.0	1
110	4.1201.0304.0	1
111	9.1071.0021.6	1 A10x8x63 DIN 6885
112	9.1001.0087.2	1 6207 2RS-1-C3
113	9.1106.0009.1	1 Z207
114	9.1131.0001.3	2 R1/2"
115	9.1071.0039.3	1 B12x8x25 DIN 6885
116	4.1201.0321.0	1
117	9.1001.0059.2	1 6210 2RS
118	4.1201.0310.0	1 [D+D]
119	9.1120.0014.6	1 90x3,00 DIN 472
120	4.1201.0320.0	1
121	9.1119.0020.6	1 42x1,75 DIN 471
122	9.1001.0019.4	1 6206
123	4.1201.0325.0	1
124	4.1201.0290.0	1
	9.1150.0008.5	- G1/4" SLW 17

REF.	ONDERDEELNR. PART NUMBER REFERENCE TEILNUMMER	AANTAL QUANTITY QUANTITE ANZAHL
------	--	--

125	9.1113.0156*1	1 M10x85 DIN 931-10.9
126	9.1030.0004*2	3 M10 DIN 985-8
127	9.1113.0027.5	3 M10x20 DIN 933-8.8
128	9.1108.0034.3	1 R1/8"
129	9.1043.0013.5	1 OR 22x1,5
130	4.1201.0306.0	1 M12-L
131	9.1001.0090.5	2 6204 C3
132	4.1201.0307.0	1
133	9.1120.0002.1	1 42x1,75 DIN 472
134	9.1001.0068.4	2 6205 2RS-2-C4(VITON); HT-22B
135	4.1201.0317.0	1
136	4.1201.0329.0	1
137	9.1120.0028.6	1 18x1,00 DIN 472
138	9.1107.0009.0	2 6205 ZAV
139	4.1201.0302.0	1
140	4.1201.0328.0	1
141	9.1171.0039.1	(0,7L) 1 kg CALITHIA EP-T-0 SHELL
	9.1171.0040.2	(0,7L) 5 kg CALITHIA EP-T-0 SHELL
	9.1171.0041.3	(0,7L) 10 kg CALITHIA EP-T-0 SHELL
	9.1171.0031.0	(0,7L) 1 kg EHL 484 XC ESSO
	9.1171.0030.6	(0,7L) 5 kg EHL 484 XC ESSO
	9.1171.0029.5	(0,7L) 10 kg EHL 484 XC ESSO
142	9.1170.0303.0	1 "CALITHIA EP-T-0 SHELL"
142	9.1170.0264.3	1 "EHL 484 XC ESSO"
150	9.1071.0033.4	1 A10x8x70 DIN 6885
199	4.1201.0280.0	1 = REF. 101-142

LELY

OPTIMO	type number type number numéro de type Typnummer	vanaf serienummer as from serial number après numéro de serie ab Seriennummer
240	4.1203.0002.1	1001 - 0701
280	4.1210.0002.1	1001 - 0649



E002-09-01

REF.	ONDERDEELNR. PART NUMBER REFERENCE TEILNUMMER	AANTAL QUANTITY QUANTITE ANZAHL
------	--	--

101	4.1201.0301.0	1
102	4.1201.1472.0	1
103	9.1057.0010.2	8
104	9.1051.0002*0	7
105	4.1201.0303.0	1
106	4.1201.0311.0	1
107	9.1001.0067.3	1
108	9.1119.0019.5	1
109	4.1201.0314.0	1
110	4.1201.0304.0	1
111	9.1071.0021.6	1
112	9.1001.0087.2	1
113	9.1048.0007*1	~
114	9.1131.0001.3	2
115	9.1071.0039.3	1
116	4.1201.0321.0	1
117	9.1001.0059.2	1
118	4.1201.0310.0	1
119	9.1120.0014.6	1
120	4.1201.0320.0	1
121	9.1119.0020.6	1
122	9.1001.0019.4	1
123	4.1201.0325.0	1
124	4.1201.0312.0	1
125	9.1150.0008.5	1

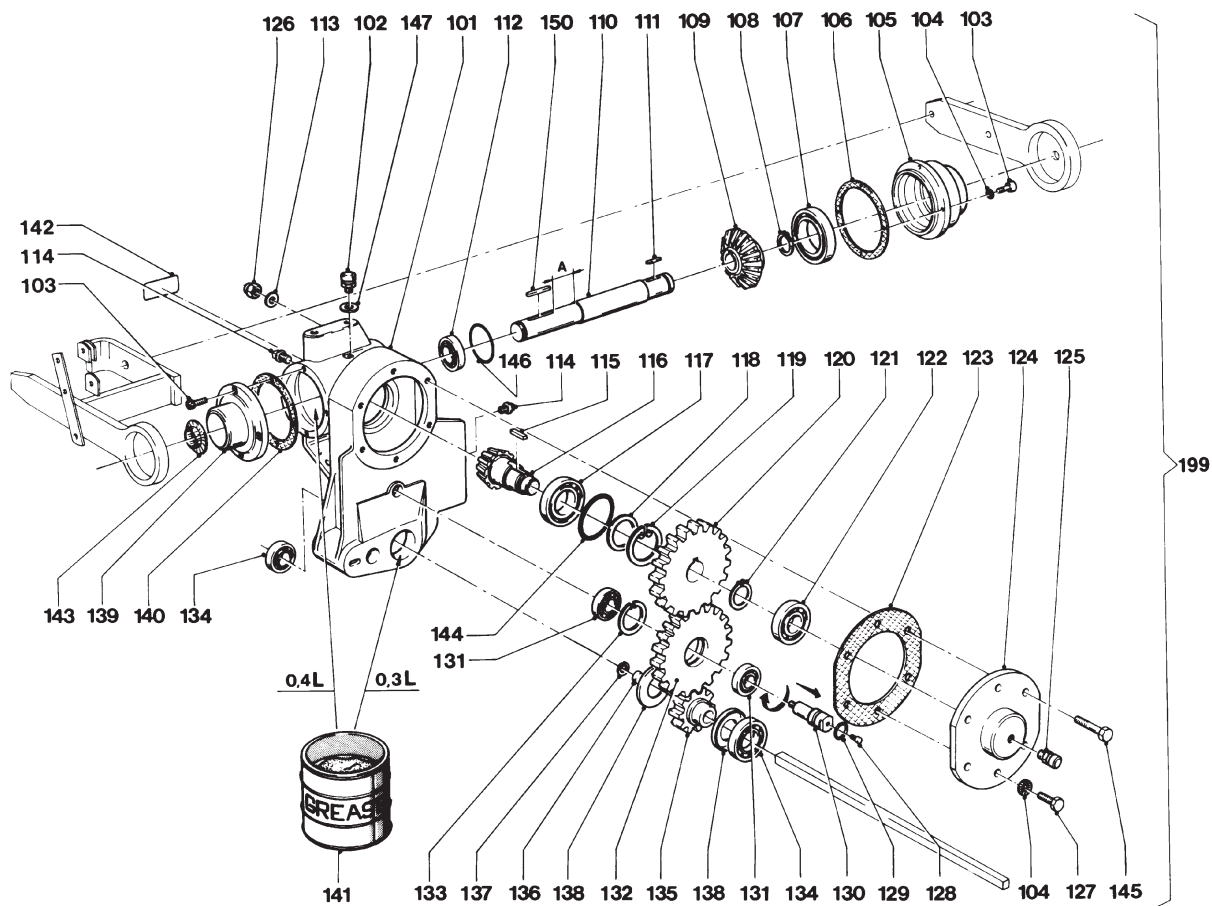
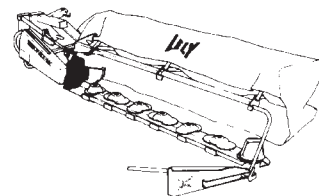
REF.	ONDERDEELNR. PART NUMBER REFERENCE TEILNUMMER	AANTAL QUANTITY QUANTITE ANZAHL
------	--	--

126	9.1030.0004*2	1
127	9.1113.0027.5	3
128	9.1108.0034.3	1
129	9.1043.0013.5	1
130	4.1201.0306.0	1
131	9.1001.0090.5	2
132	4.1201.0307.0	1
133	9.1120.0002.1	1
134	9.1001.0119.6	2
135	4.1201.0317.0	1
136	4.1201.0329.0	1
137	9.1120.0028.6	1
138	9.1107.0009.0	2
139	4.1201.0302.0	1
140	4.1201.0328.0	1
141	9.1171.0039.1	(0,7L)
	9.1171.0040.2	(0,7L)
	9.1171.0041.3	(0,7L)
	9.1171.0031.0	(0,7L)
142	9.1170.0303.0	1
143	9.1106.0009.1	1
144	9.1043.0048.5	1
145	9.1113.0156*1	1
150	9.1071.0033.4	1
199	4.1201.0280.0	1

M10 DIN 985-8
M10x20 DIN 933-8.8
R1/8"
OR 22x1,5
M12-L
6204 C3
42x1,75 DIN 472
6205 2RS-2-C5(VITON); HT-22B
18x1,00 DIN 472
6205 ZAV
1 kg CALITHIA EP-T-0 SHELL
5 kg CALITHIA EP-T-0 SHELL
10 kg CALITHIA EP-T-0 SHELL
1 kg EHL 484 XC ESSO
"CALITHIA EP-T-0 SHELL"
Z207
OR 89,5x3
M10x85 DIN 931-10.9
A10x8x70 DIN 6885
= REF. 101-145

LELY

OPTIMO	type number type number numéro de type Typnummer	vanaf serienummer as from serial number après numéro de série ab Seriennummer
240	4.1203.0004.1	1010 - 0501
240	4.1203.0005.1	10112 - 0501
280	4.1210.0004.1	1011 - 0501
280	4.1210.0005.1	10112 - 0501



E002-11-00

REF.	ONDERDEELNR. PART NUMBER REFERENCE TEILNUMMER	AANTAL QUANTITY QUANTITE ANZAHL	
------	--	--	--

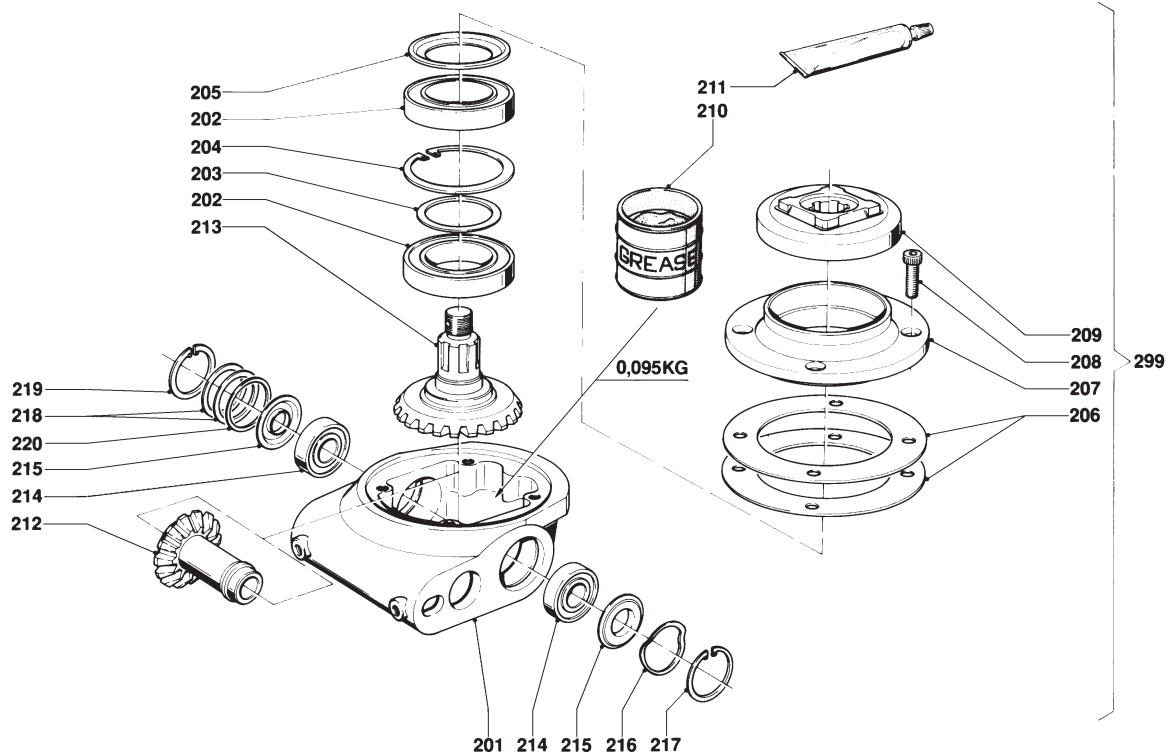
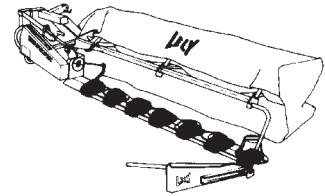
101	4.1201.0301.0	1	
102	9.1150.0013.3	1	R1/4"
103	9.1057.0010.2	8	M10x25 DIN 912-12.9
104	9.1051.0002.0	7	A10,5 DIN 6798 [//////]
105	4.1201.0303.0	1	
106	4.1201.0311.0	(1)	[D+D]
107	9.1001.0067.3	1	16016
108	9.1119.0019.5	1	35x2,50 DIN 471
109	4.1201.0314.0	1	
110	4.1201.0298.0	1	A= 32,5 mm
111	9.1071.0021.6	1	A10x8x63 DIN 6885
112	9.1001.0087.2	1	6207 2RS1-C3
113	9.1048.0007*1	~	A10,5 DIN 125 [—]
114	9.1131.0001.3	2	R1/2"
115	9.1071.0039.3	1	B12x8x25 DIN 6885
116	4.1201.0321.0	1	
117	9.1001.0059.2	1	6210 2RS1
118	4.1201.0310.0	(1)	[D+D]
119	9.1120.0014.6	1	90x3,00 DIN 472
120	4.1201.0320.0	1	
121	9.1119.0020.6	1	42x1,75 DIN 471
122	9.1001.0019.4	1	6206
123	4.1201.0325.0	1	
124	4.1201.0312.0	1	
125	9.1150.0008.5	1	G1/4"
126	9.1030.0004*2	1	M10 DIN 985-8
127	9.1113.0027*5	3	M10x20 DIN 933-8.8

REF.	ONDERDEELNR. PART NUMBER REFERENCE TEILNUMMER	AANTAL QUANTITY QUANTITE ANZAHL	
------	--	--	--

128	9.1108.0034.3	1	R1/8"
129	9.1043.0013.5	1	OR 22x1,5
130	4.1201.0306.0	1	M12-L
131	9.1001.0090.5	2	6204 C3
132	4.1201.0307.0	1	
133	9.1120.0002.1	1	42x1,75 DIN 472
134	9.1001.0119.6	2	6205 2RS-2-C5(VITON);HT-22B
135	4.1201.0317.0	1	
136	4.1201.0329.0	1	
137	9.1120.0028.6	1	18x1,00 DIN 472
138	9.1107.0009.0	2	6205 ZAV
139	4.1201.0299.0	1	
140	4.1201.0328.0	1	
141	9.1171.0039.1	(0,7L)	1 kg ALVANIA WR-0 SHELL
	9.1171.0040.2	(0,7L)	5 kg ALVANIA WR-0 SHELL
	9.1171.0041.3	(0,7L)	10 kg ALVANIA WR-0 SHELL
142	9.1170.0303.0	1	"ALVANIA WR-0 SHELL"
143	9.1106.0009.1	1	Z207
144	9.1043.0048.5	1	OR 89,5x3
145	9.1113.0156*1	1	M10x85 DIN 931-10.9
146	9.1043.0050.0	1	OR 72x2
147	9.1137.0401.5	1	Ø14x20x1,5 Cu [—]
150	9.1071.0033.4	1	A10x8x70 DIN 6885
199	4.1201.0280.0	1	= REF. 101-147

LELY

OPTIMO	type number type number numéro de type Typnummer	vanaf serienummer as from serial number après numéro de serie ab Seriennummer
240	4.1203.0000.1	907 - 5001
280	4.1210.0000.1	947 - 0501



E008-02-00

REF.	ONDERDEELNR. PART NUMBER REFERENCE TEILNUMMER	AANTAL QUANTITY QUANTITE ANZAHL
------	--	--

201	4.1201.0068.0	1
202	9.1001.0065.1	2
203	9.1052.0004.1	1
204	9.1120.0026.4	1
205	9.1107.0008.6	1
206	4.1290.2001.0	1
207	4.1201.0067.0	1
208	9.1057.0003.2	4
209	4.1201.0062.0	1
210	9.1171.0007.4	0,095 kg
	9.1171.0034.3	-
211	9.1171.0020.3	1
212	4.1201.0069.0	1
213	4.1201.0063.0	1
214	9.1001.0064.0	2
215	9.1107.0007.5	2
216	9.1049.0013.6	1
217	9.1120.0027.5	1
218	9.1093.0065.0	2
219	9.1120.0002.1	1
220	4.1201.0061.0	1

[D+D]

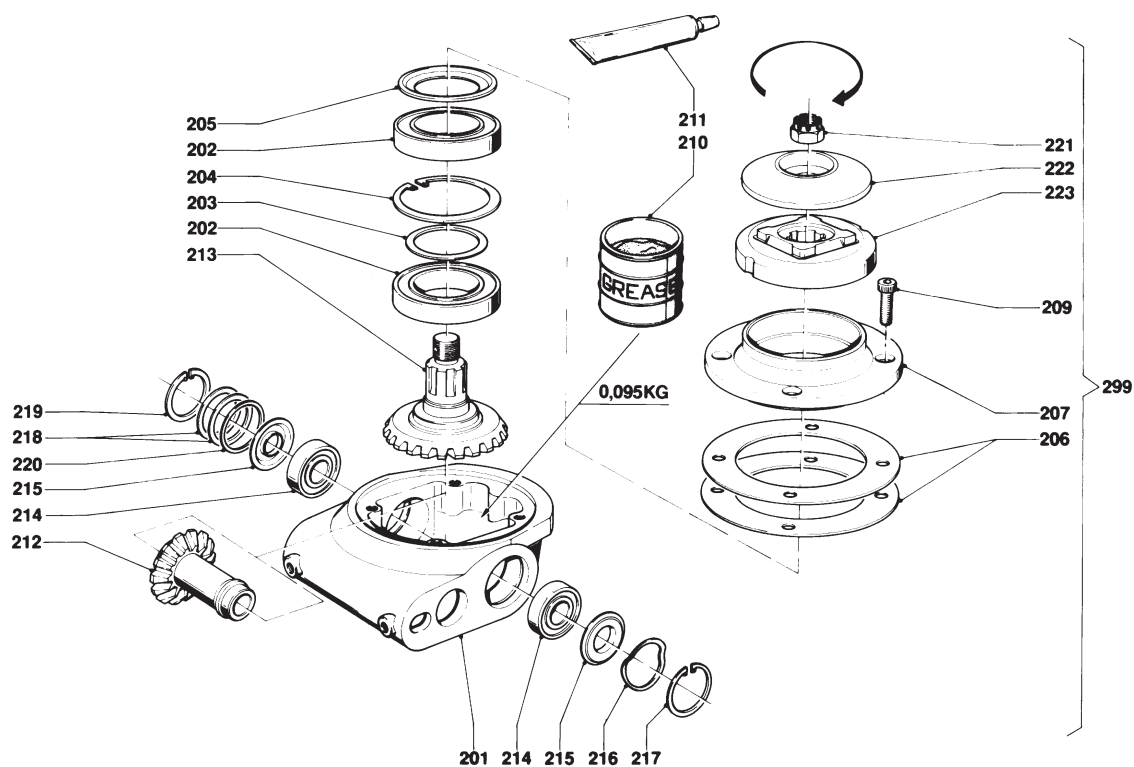
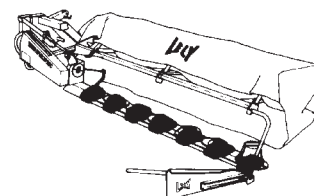
REF.	ONDERDEELNR. PART NUMBER REFERENCE TEILNUMMER	AANTAL QUANTITY QUANTITE ANZAHL
------	--	--

240/280

298	4.1201.0030.0	3/3	= REF. 201-220	[LD][x]
299	4.1201.0070.0	3/4	= REF. 201-220	[RD]

LELY

OPTIMO	type number type number numéro de type Typnummer	vanaf serienummer as from serial number après numéro de serie ab Seriennummer
240	4.1203.0001.1	970 - 0501
280	4.1210.0001.1	970 - 0501
320	4.1219.0001.1	972 - 0501



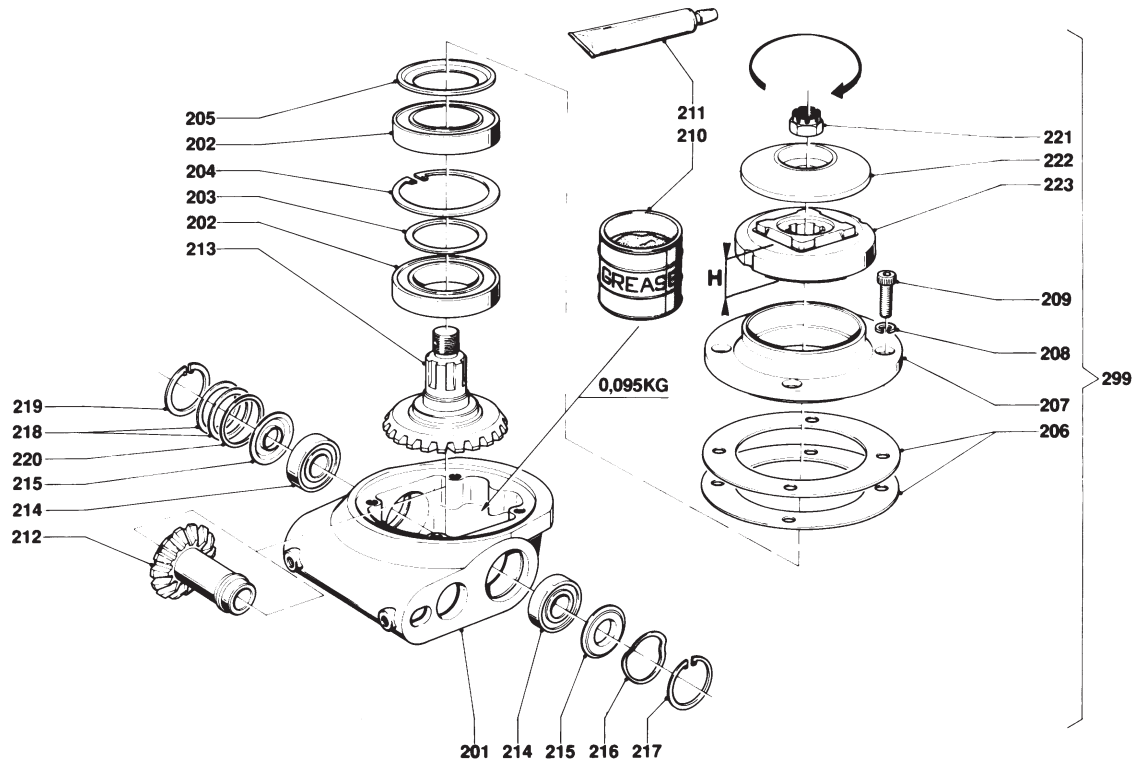
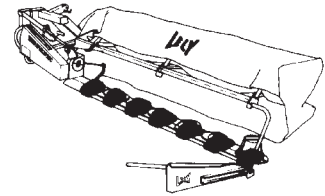
E008-04-01

REF.	ONDERDEELNR. PART NUMBER REFERENCE TEILNUMMER	AANTAL QUANTITY QUANTITE ANZAHL	
201	4.1201.0068.0	1	
202	9.1001.0065.1	2	6009-2RS-1-C4
203	9.1052.0004.1	1	S45x55x3 DIN 988
204	9.1120.0026.4	1	75x3,00 DIN 472
205	9.1107.0008.6	1	6009-ZAV
206	4.1290.2001.0	1	[D+D]
207	4.1201.0067.0	1	
209	9.1057.0003.2	4	M8x20 DIN 912-8.8
210	9.1171.0039.1	(0,095 kg)	1 kg CALITHIA EP-T-0 SHELL
	9.1171.0040.2	(0,095 kg)	5 kg CALITHIA EP-T-0 SHELL
	9.1171.0041.3	(0,095 kg)	10 kg CALITHIA EP-T-0 SHELL
	9.1171.0031.0	(0,095 kg)	1 kg EHL 484 XC ESSO
	9.1171.0030.6	(0,095 kg)	5 kg EHL 484 XC ESSO
	9.1171.0029.5	(0,095 kg)	10 kg EHL 484 XC ESSO
211 SHELL	9.1171.0038.0	1	0,095 kg CALITHIA EP-T-0
	9.1171.0032.1	1	0,095 kg EHL 484 XC ESSO
212	4.1201.0069.0	1	
213	4.1201.0063.0	1	
214	9.1001.0064.0	2	6005-2RS1-C4
215	9.1107.0007.5	2	6005-ZJV
216	9.1049.0013.6	1	46,5x40-G 6005

REF.	ONDERDEELNR. PART NUMBER REFERENCE TEILNUMMER	AANTAL QUANTITY QUANTITE ANZAHL	
217	9.1120.0027.5	1	47x1,75 V
218	9.1093.0065.0	2	37x47x0,3 DIN 988
219	9.1120.0002.1	1	47x1,75 DIN 472
220	4.1201.0061.0	1	
221	9.1031.0013.3	1	M18x1,5 DIN 937-22H
222	4.1201.1467.0	1	
223	4.1201.0062.0	1	
			240/280
298	4.1201.0030.0	3/3	= REF. 201-223 [LD][x]
299	4.1201.0070.0	3/4	= REF. 201-223 [RD]

LELY

OPTIMO	type nummer type number numéro de type Typnummer	vanaf serienummer as from serial number après numéro de serie ab Seriennummer
240	4.1203.0001.1	984 - 0551
	4.1203.0002.1	997 - 0501
	4.1203.0004.1	1010 - 0501
280	4.1210.0001.1	984 - 0551
	4.1210.0002.1	997 - 0501
	4.1210.0004.1	1011 - 0501



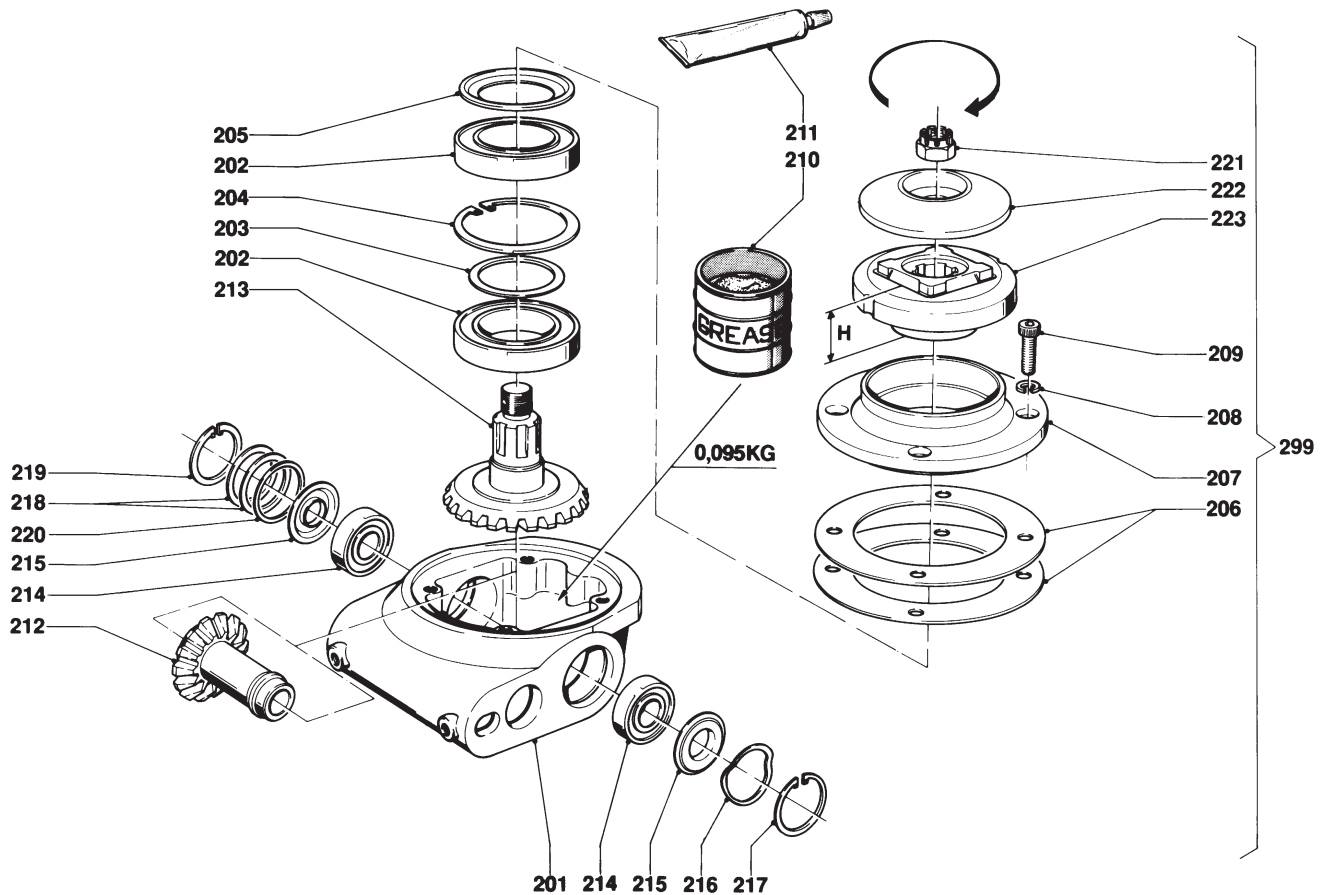
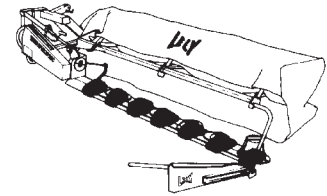
E008-04-02

REF.	ONDERDEELNR. PART NUMBER REFERENCE TEILNUMMER	AANTAL QUANTITY QUANTITE ANZAHL	
201	4.1201.0068.0	1	
202	9.1001.0065.1	2	6009 2RS1-C4
203	9.1052.0004.1	1	S45x55x3 DIN 988
204	9.1120.0026.4	1	75x3,00 DIN 472
205	9.1107.0008.6	1	6009-ZAV
206	4.1290.2001.0	1	[D+D]
207	4.1201.0067.0	1	
208	9.1121.0024*1	4	8 DIN 7980 [—/—]
209	9.1057.0003.2	4	M8x20 DIN 912-8.8
210	9.1171.0039.1	(0,095 kg)	1 kg CALITHIA EP-T-0 SHELL
	9.1171.0040.2	(0,095 kg)	5 kg CALITHIA EP-T-0 SHELL
	9.1171.0041.3	(0,095 kg)	10 kg CALITHIA EP-T-0 SHELL
	9.1171.0031.0	(0,095 kg)	1 kg EHL 484 XC ESSO
	9.1171.0030.6	(0,095 kg)	5 kg EHL 484 XC ESSO
	9.1171.0029.5	(0,095 kg)	10 kg EHL 484 XC ESSO
211 SHELL	9.1171.0038.0	1	0,095 kg CALITHIA EP-T-0
	9.1171.0032.1	1	0,095 kg EHL 484 XC ESSO
212	4.1201.0069.0	1	
213	4.1201.0063.0	1	
214	9.1001.0064.0	2	6005 2RS1-C4
215	9.1107.0007.5	2	6005 ZJV
216	9.1049.0013.6	1	46,5x40-G 6005

REF.	ONDERDEELNR. PART NUMBER REFERENCE TEILNUMMER	AANTAL QUANTITY QUANTITE ANZAHL	
217	9.1120.0027.5	1	47x1,75 V
218	9.1093.0065.0	2	37x47x0,3 DIN 988
219	9.1120.0002.1	1	47x1,75 DIN 472
220	4.1201.0061.0	1	
221	9.1031.0013.3	1	M18x1,5 DIN 937-22H
222	4.1201.1467.0	1	
223	4.1201.0062.0	1	H= 38 mm
			240/280
298	4.1201.0030.0	3/3	= REF. 201-223 [LD][x]
299	4.1201.0070.0	3/4	= REF. 201-223 [RD]

LELY

OPTIMO	type number type number numéro de type Typnummer	vanaf serienummer as from serial number après numéro de serie ab Seriennummer
240	4.1203.0004.1	1015 - 0751
240	4.1203.0005.1	10112 - 0501
280	4.1210.0004.1	10109 - 0701
280	4.1210.0005.1	10112 - 0501



E008-05-01

REF.	ONDERDEELNR. PART NUMBER REFERENCE TEILNUMMER	AANTAL QUANTITY QUANTITE ANZAHL
------	--	--

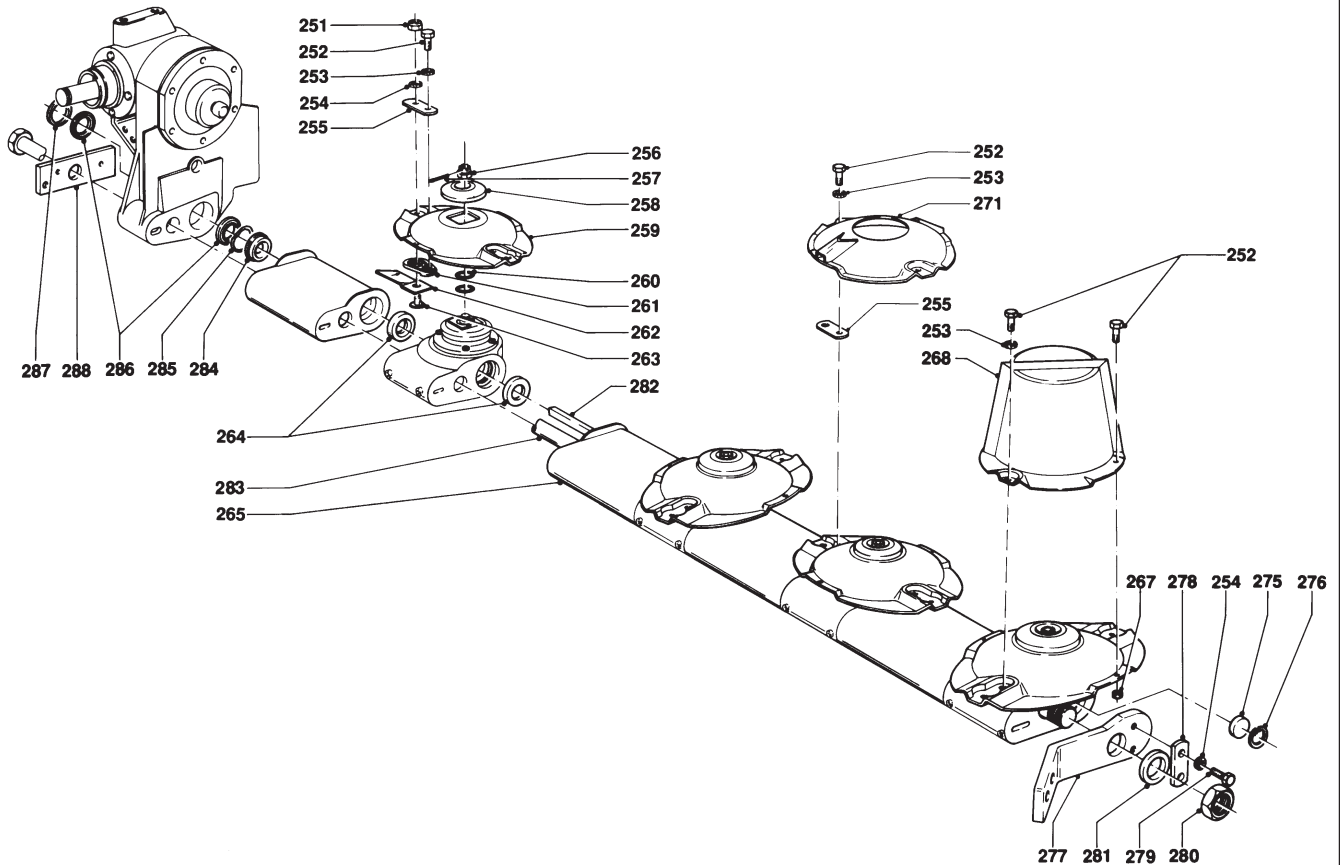
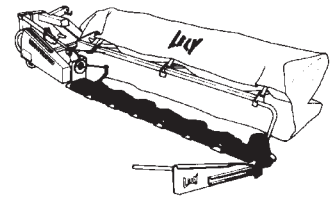
201	4.1201.0068.0	1
202	9.1001.0065.1	2
203	9.1052.0004.1	1
204	9.1120.0026.4	1
205	9.1107.0008.6	1
206	4.1290.2001.0	(1)
207	4.1201.0067.0	1
208	9.1121.0024*1	4
209	9.1057.0003.2	4
210	9.1171.0039.1	(0,095 kg)
	9.1171.0040.2	(0,095 kg)
	9.1171.0041.3	(0,095 kg)
211	9.1171.0038.0	1
212	4.1201.0069.0	1
213	4.1220.0057.0	1
214	9.1001.0064.0	2
215	9.1107.0007.5	2
216	9.1049.0013.6	1
217	9.1120.0027.5	1
218	9.1093.0065.0	2
219	9.1120.0002.1	1
220	4.1201.0061.0	1
221	9.1031.0013.3	1
222	4.1201.1467.0	1
223	4.1225.0189.0	1

REF.	ONDERDEELNR. PART NUMBER REFERENCE TEILNUMMER	AANTAL QUANTITY QUANTITE ANZAHL
------	--	--

		240 280
299	4.1201.0030.0	3 3 = REF. 201-223 [LD][x]
299	4.1201.0070.0	3 4 = REF. 201-223 [RD]

LELY

OPTIMO	type number type number numéro de type Typnummer	vanaf serienummer as from serial number après numéro de serie ab Seriennummer
240	4.1203.0000.1	927 - 5296
	4.1203.0001/2.1	980 - 0501
	4.1203.0004/5.1	1010 - 0501
280	4.1210.0000.1	947 - 0501
	4.1210.0001/2.1	981 - 0501
	4.1210.0004/5.1	1011 - 0501
320	4.1219.0000.1	972 - 0501



E003-08-00

REF.	ONDERDEELNR. PART NUMBER REFERENCE TEILNUMMER	AANTAL QUANTITY QUANTITE ANZAHL	240	280	320	
------	--	--	-----	-----	-----	--

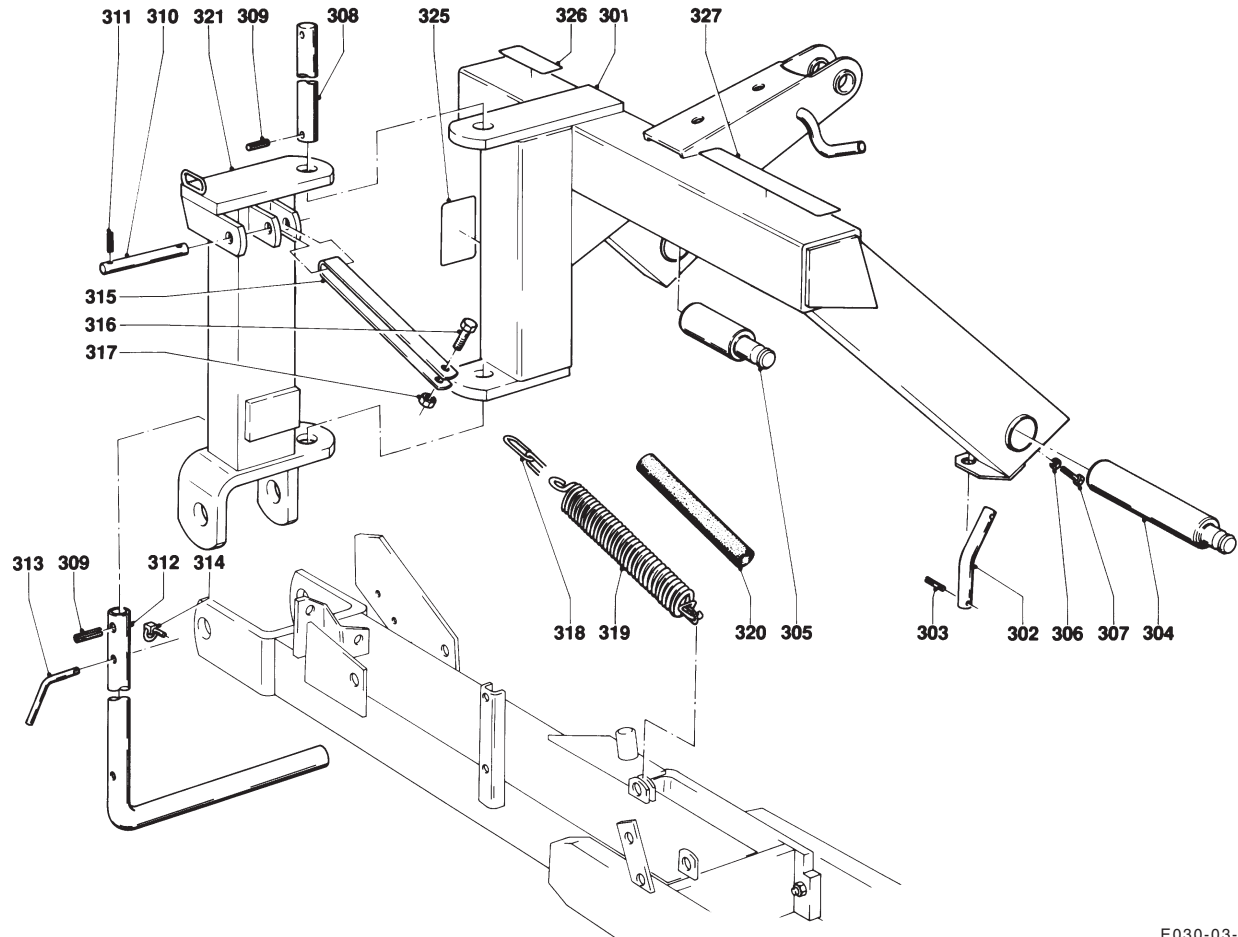
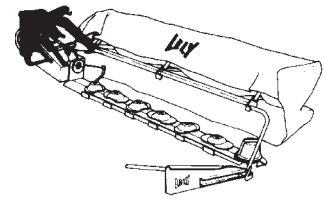
			240	280	320	
251	9.1030.0018*2	12 14 16				M10 DIN 985-10
252	9.1113.0014*6	14 16 18				M8x20 DIN 933-8.8
253	9.1051.0001.6	12 14 16				A8,2 DIN 6798 [////]
254	9.1051.0002.0	14 16 18				A10,5 DIN 6798 [////]
255	4.1201.1468.0	12 14 16				
256	9.1031.0013.3	(6) (7) (8)				(= REF. 221) M18x1,5
257	9.1072.0017.1	6 7 8				3x30 DIN 94
258	4.1201.1467.0	(6) (7) (8)				(= REF. 222)
259	4.1201.1469.0	6 7 8				
260	9.1043.0020.5	12 14 16				OR 16x3
261	4.1201.0142.0	12 14 16				
262	4.1201.1474.0	6 8 8				[RD] L= 120 mm
	4.1201.1473.0	6 6 8				[LD][x] L= 120 mm
263	4.1201.0141*0	12 14 16				
264	4.1201.0145.0	11 13 15				
265	4.1201.0143.0	6 6 8				L= 250 mm
	4.1202.0148.0	- 1 -				L= 285 mm
267	9.1030.0012*3	2 2 2				M8 DIN 985-8
268	4.1201.0391.0	1 (1) (1)				⊕= 175 mm
	4.1210.2000.0	(1) 1 1				⊕= 202 mm [x]
271	4.1201.2410.0	(5) (6) (7)				

REF.	ONDERDEELNR. PART NUMBER REFERENCE TEILNUMMER	AANTAL QUANTITY QUANTITE ANZAHL	240	280	320	
------	--	--	-----	-----	-----	--

			240	280	320	
275	4.1201.0329.0	1 1 1				
276	9.1120.0028.6	1 1 1				18x1,00 DIN 472
277	4.1201.0341.0	1 1 1				
278	4.1201.0135.0	1 1 1				
279	9.1113.0027*5	2 2 2				M10x20 DIN 933-8.8
280	9.1029.0024*2	1 1 1				M30x1,5 DIN 934-8
281	9.1052.0011.1	1 1 1				S30x42x2,5 DIN 988
282	4.1203.0149.0	1 - -				□
	4.1210.0149.0	- 1 -				□
	4.1219.0039.0	- - 1				□
283	4.1203.0401.0	1 - -				○
	4.1210.0400.0	- 1 -				○
	4.1219.0040.0	- - 1				○
284	4.1201.0146.0	1 1 1				
285	9.1049.0012.5	1 1 1				51x42 G-6205
286	9.1107.0006.4	2 2 2				6205 ZJV
287	9.1052.0009*6	1 1 1				S42x52x2,5 DIN 988
288	4.1201.0120.0	1 1 1				

LELY

OPTIMO	type number type number numéro de type Typnummer	vanaf serienummer as from serial number après numéro de serie ab Seriennummer
240	4.1203.0000.1	960 - 0551
280	4.1210.0000.1	960 - 0501
320	4.1219.0000.1	972 - 0501



E030-03-00

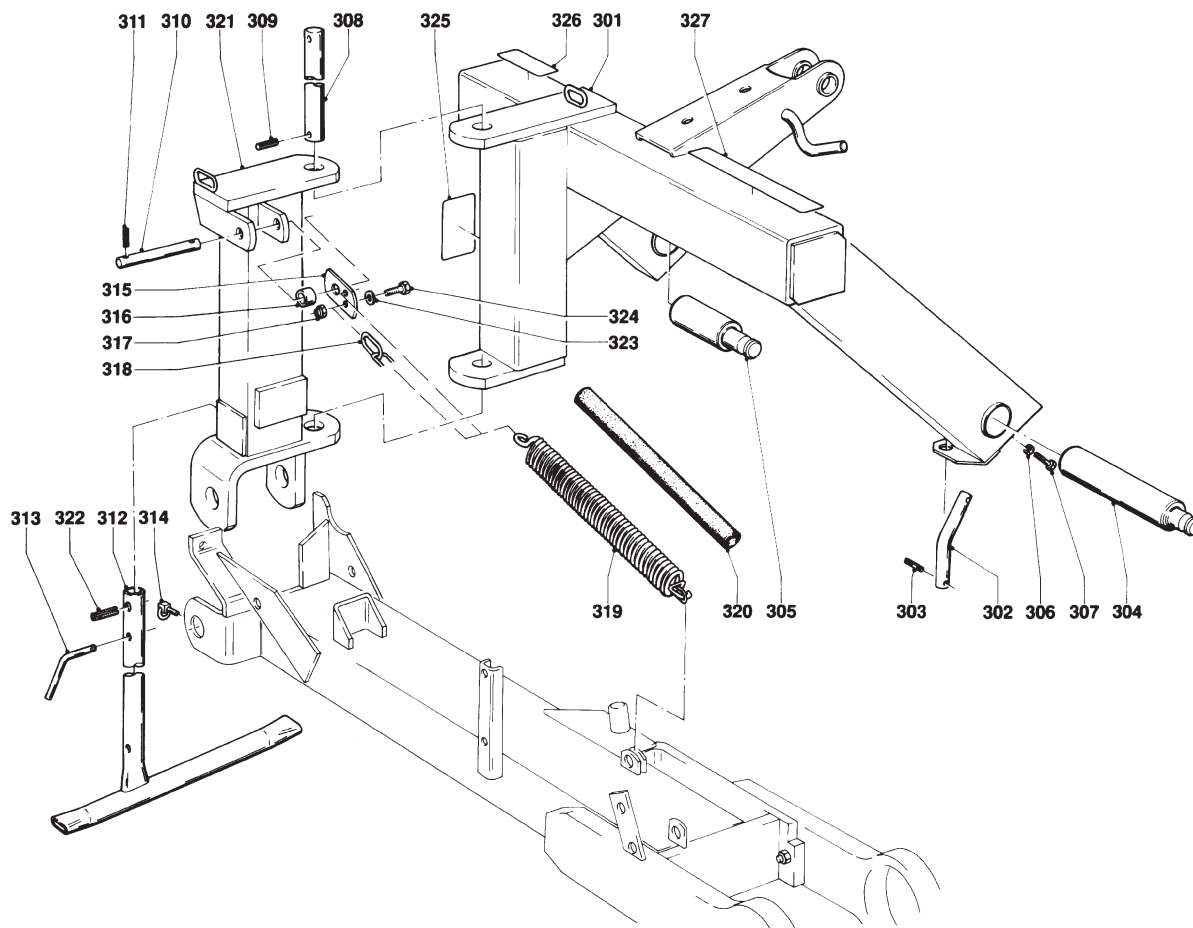
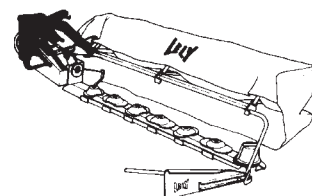
REF.	ONDERDEELNR. PART NUMBER REFERENCE TEILNUMMER	AANTAL QUANTITY QUANTITE ANZAHL	
301	4.1208.0341.0	1	
302	4.1208.1497.0	1	
303	9.1070.0028*0	2	Ø10x60 DIN 1481
304	4.1208.1498.0	1	
305	4.1208.1499.0	1	
306	9.1029.0008*0	2	M12 DIN 934-8
307	9.1113.0118*5	2	M12x40 DIN 933-8.8
308	4.1207.0611.0	1	
309	9.1070.0023*2	3	Ø8x50 DIN 1481
310	4.1003.0048.0	1	
311	9.1070.0018*4	2	Ø6x40 DIN 1481
312	4.1210.1497.0	1	
313	4.1016.0298.0	1	
314	9.1123.0003*6	1	6x6
315	4.1201.1494.0	1	
316	9.1113.0033*4	1	M10x45 DIN 931-8.8
317	9.1030.0004*2	1	M10 DIN 985-8
318	9.1144.0026*1	1	15x(6x42)
319	4.1201.1483.0	1	
320	4.1201.1484.0	1	
321	4.1210.0260.0	1	OPTIMO 240/280
	4.1210.0590.0	1	OPTIMO 320

[x]

REF.	ONDERDEELNR. PART NUMBER REFERENCE TEILNUMMER	AANTAL QUANTITY QUANTITE ANZAHL	
325	9.1170.0190.6	1	"Maaihoogte 20" 50 cm" "Mowing height 20" 50 cm" "Hautr. de fauchage 50 cm" "Mähhöhe 20" 50 cm"
326	9.1170.0125.4	1	"MAX. 540 omw/min"
327	9.1170.0091.5	1	"ATTENTIE PTO INSCHAKELEN BIJ STATIONAIR TOERENTAL"

LELY

OPTIMO	type number type number numéro de type Typnummer	vanaf serienummer as from serial number après numéro de serie ab Seriennummer
240	4.1203.0001.1	980 - 0501
280	4.1210.0001.1	981 - 0501



E030-04-00

REF.	ONDERDEELNR. PART NUMBER REFERENCE TEILNUMMER	AANTAL QUANTITY QUANTITE ANZAHL
------	--	--

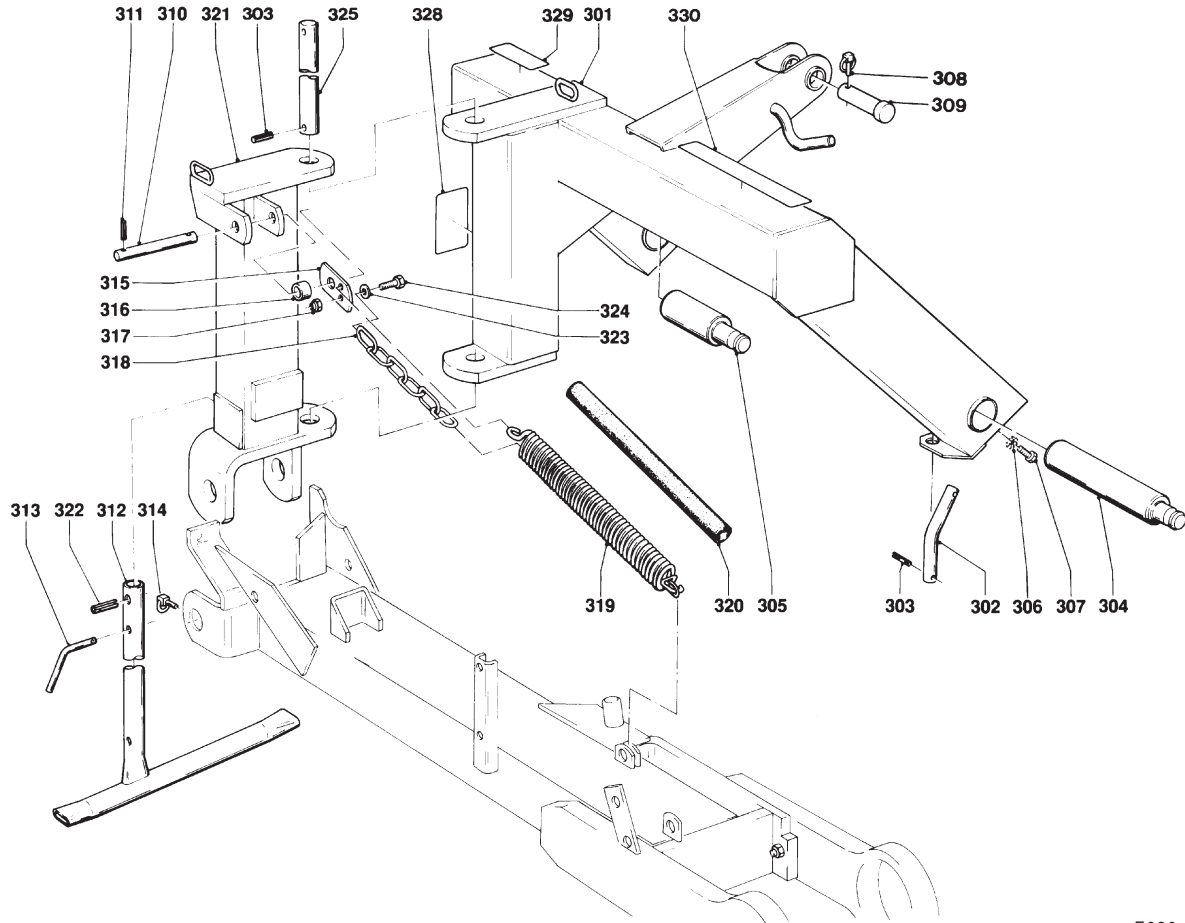
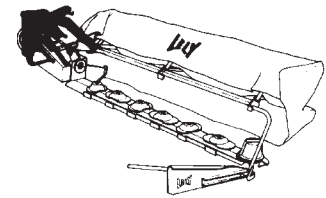
301	4.1208.0341.0	1
302	4.1208.1497.0	1
303	9.1070.0028*0	2
304	4.1208.1498.0	1
305	4.1208.1499.0	1
306	9.1029.0008*0	2
307	9.1113.0118*5	2
308	4.1207.0611.0	1
309	9.1070.0028*0	2
310	4.1210.1491.0	1
311	9.1070.0018*4	2
312	4.1210.0250.0	1
313	4.1003.0142.0	1
314	9.1123.0003*6	1
315	4.1210.1492.0	1
316	1.1623.0043.0	1
317	9.1030.0004*2	1
318	4.1203.1495.0	1
319	4.1207.0616.0	1
320	4.1203.1494.0	1
321	4.1210.0591.0	1
322	9.1070.0023*2	1
323	9.1048.0008*2	1
324	9.1113.0117*4	1

REF.	ONDERDEELNR. PART NUMBER REFERENCE TEILNUMMER	AANTAL QUANTITY QUANTITE ANZAHL
------	--	--

325	9.1170.0281.6	1	"Maaihoogte 22" 55 cm" "Mowing height 22" 55 cm" "Hautr. de fauchage 55 cm" "Mähhöhe 22" 55 cm"
326	9.1170.0125.4	1	"MAX. 540 omw/min"
327	9.1170.0091.5	1	"ATTENTIE PTO INSCHAKELEN BIJ STATIONAIR TOERENTAL"

LELY

OPTIMO	type number type number numéro de type Typnummer	vanaf serienummer as from serial number après numéro de serie ab Seriennummer
240	4.1203.0001.1	996 - 0766
240	4.1203.0002.1	997 - 0501
280	4.1210.0002.1	997 - 0501



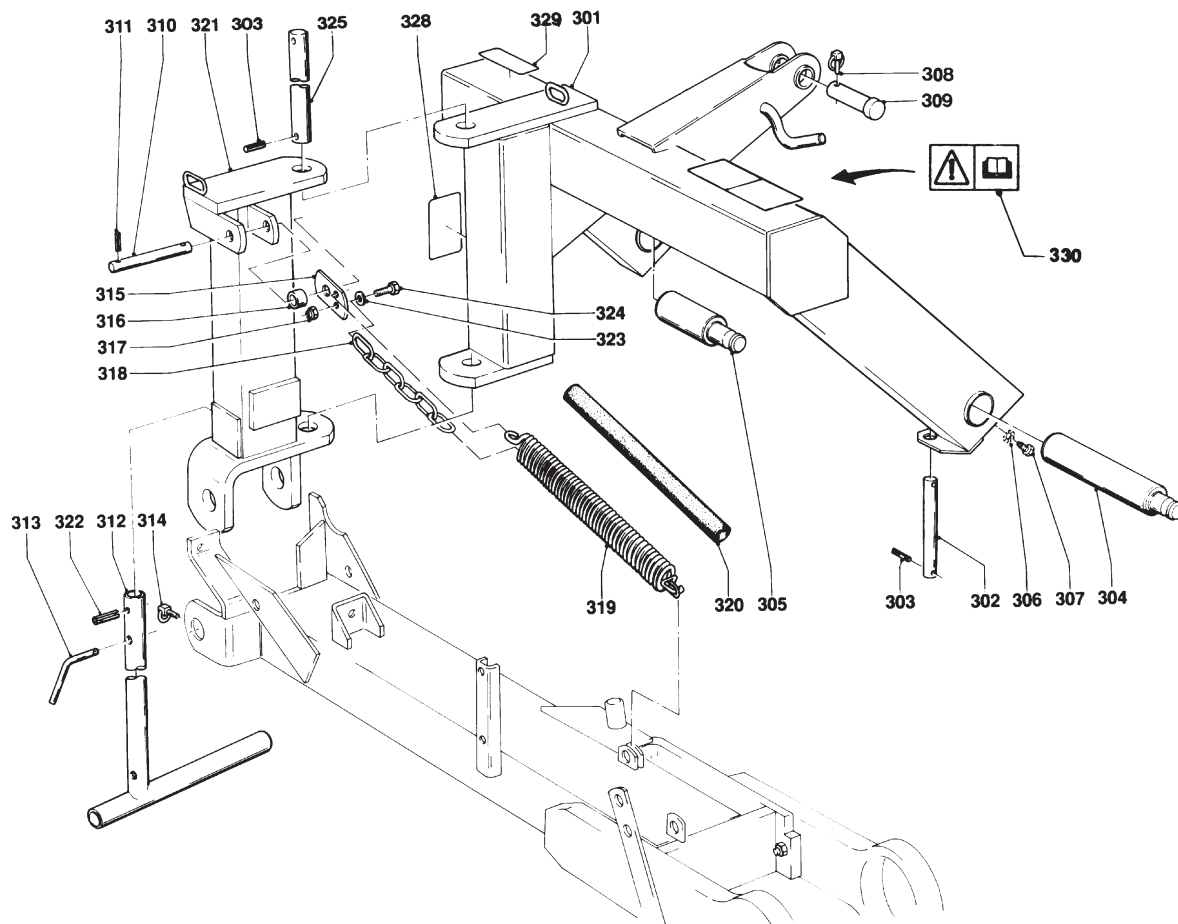
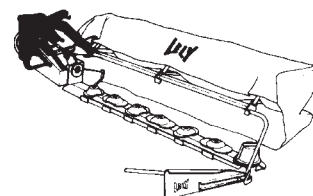
E030-05-00

REF.	ONDERDEELNR. PART NUMBER REFERENCE TEILNUMMER	AANTAL QUANTITY QUANTITE ANZAHL		
301	4.1208.0341.0	1		
302	4.1208.1497.0	1		
303	9.1070.0028*0	4	Ø10x60 DIN 1481	
304	4.1208.1498.0	1		
305	4.1208.1499.0	1		
306	9.1051.0003*1	2	A12,5 DIN 6798	[////]
307	9.1113.0047*4	2	M12x20 DIN 933-8.8	
308	9.1123.0002*5	1	8x11	
309	9.1088.0005*1	1	25-95	
310	4.1003.0048.0	1		
311	9.1070.0018*4	2	Ø6x40 DIN 1481	
312	4.1210.0250.0	1		
313	4.1003.0142.0	1		
314	9.1123.0003*6	1	6x6	
315	4.1210.1492.0	1		
316	4.1210.1489.0	1		
317	9.1030.0004*2	1	M10 DIN 985-8	
318	4.1203.1495.0	1	15x(6x42)= 9.1144.0026*1	
319	4.1207.0616.0	1		
320	4.1203.1494.0	1		
321	4.1210.0591.0	1		
322	9.1070.0023*2	1	Ø8x50 DIN 1481	
323	9.1048.0008*2	1	A10,5 DIN 9021	[]
324	9.1113.0117*4	1	M10x35 DIN 933-8.8	
325	4.1207.0611.0	1		

REF.	ONDERDEELNR. PART NUMBER REFERENCE TEILNUMMER	AANTAL QUANTITY QUANTITE ANZAHL	
328	9.1170.0281.6	1	"Maaihoogte 22" 55 cm" "Mowing height 22" 55 cm" "Hautr. de fauchage 55 cm" "Mähhöhe 22" 55 cm"
329	9.1170.0125.4	1	"MAX. 540 omw/min"
330	9.1170.0091.5	1	"ATTENTIE PTO INSCHAKELEN BIJ STATIONAIR TOERENTAL"

LELY

OPTIMO	type number type number numéro de type Typnummer	vanaf serienummer as from serial number après numéro de serie ab Seriennummer
240	4.1203.0002.1	1009 - 1051
	4.1203.0004.1	1010 - 0501
	4.1203.0005.1	10112 - 0501
280	4.1210.0002.1	1009 - 0826
	4.1210.0004.1	1011 - 0501
	4.1210.0005.1	10112 - 0501



E030-06-01

REF.	ONDERDEELNR. PART NUMBER REFERENCE TEILNUMMER	AANTAL QUANTITY QUANTITE ANZAHL
------	--	--

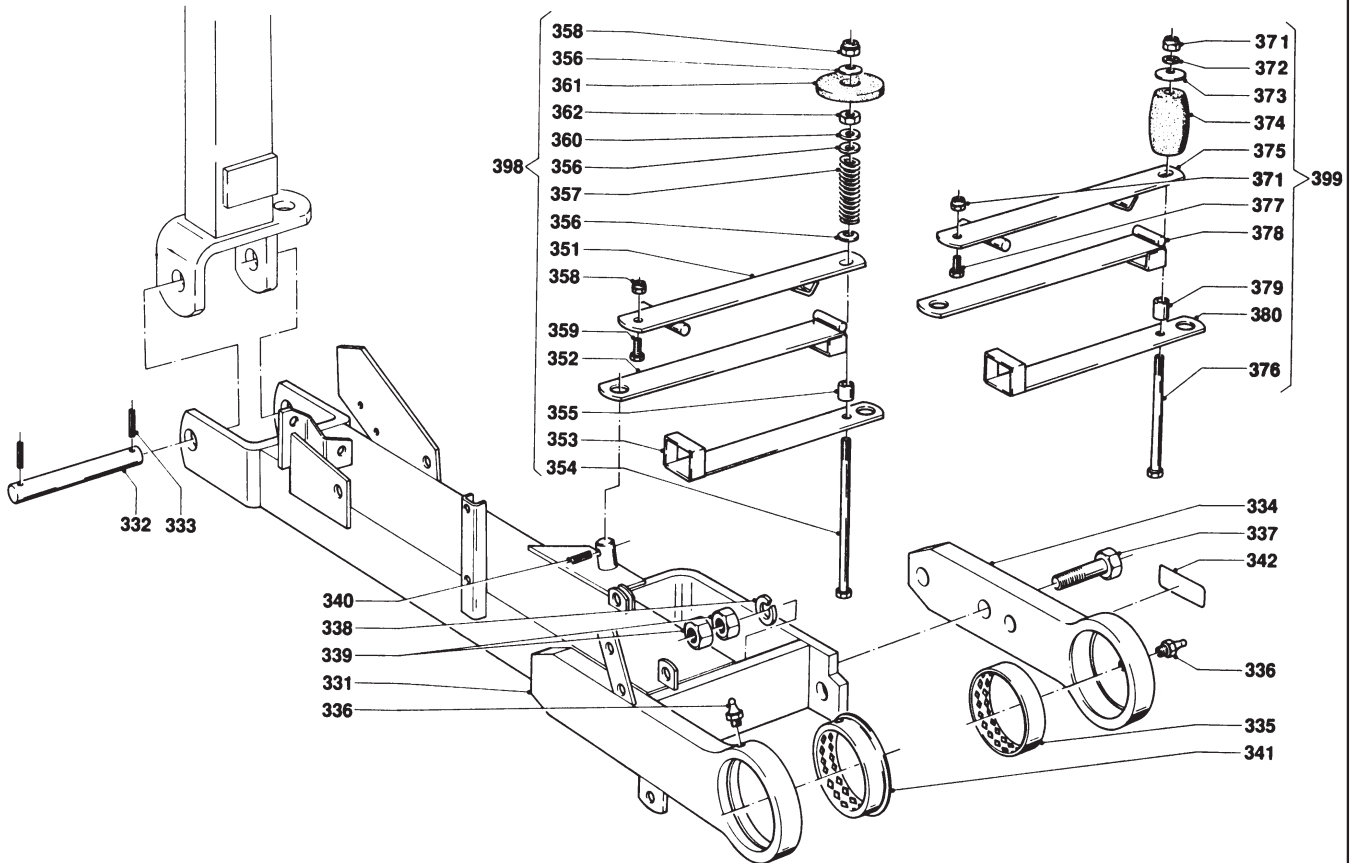
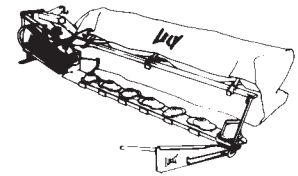
301	4.1208.0342.0	1	
302	4.1208.1496.0	1	
303	9.1070.0028.0	4	Ø10x60 DIN 1481
304	4.1208.1498.0	1	
305	4.1208.1499.0	1	
306	9.1051.0004.2	2	A16,5 DIN 6798 [////]
307	4.1208.0347.0	2	M16
308	9.1123.0002*5	1	Ø11
309	9.1088.0005.1	1	25-95
310	4.1003.0048.0	1	
311	9.1070.0018.4	2	Ø6x40 DIN 1481
312	4.1215.0600.0	1	
313	4.1003.0142.0	1	
314	9.1123.0003*6	1	Ø6
315	4.1210.1492.0	1	
316	4.1210.1489.0	1	
317	9.1030.0004*2	1	M10 DIN 985-8
318	4.1203.1495.0	1	15x(6x42)
319	4.1207.0616.0	1	
320	4.1203.1494.0	1	
321	4.1210.0591.0	1	
322	9.1070.0023.2	1	Ø8x50 DIN 1481
323	9.1048.0008*2	1	A10,5 DIN 9021 [—]
324	9.1113.0117*4	1	M10x35 DIN 933-8.8
325	4.1207.0611.0	1	

REF.	ONDERDEELNR. PART NUMBER REFERENCE TEILNUMMER	AANTAL QUANTITY QUANTITE ANZAHL
------	--	--

328	9.1170.0281.6	1	"Maaihoogte 22" 55 cm" "Mowing height 22" 55 cm" "Hautr. de fauchage 22" 55 cm" "Mähhöhe 22" 55 cm"
329	9.1170.0125.4	1	"MAX. 540/min."
330	9.1170.0408.0	1	

LELY

OPTIMO	type number type number numéro de type Typnummer	vanaf serienummer as from serial number après numéro de serie ab Seriennummer
240	4.1203.0000.1	956 - 5574
280	4.1210.0000.1	954 - 0726
320	4.1219.0000.1	972 - 0501



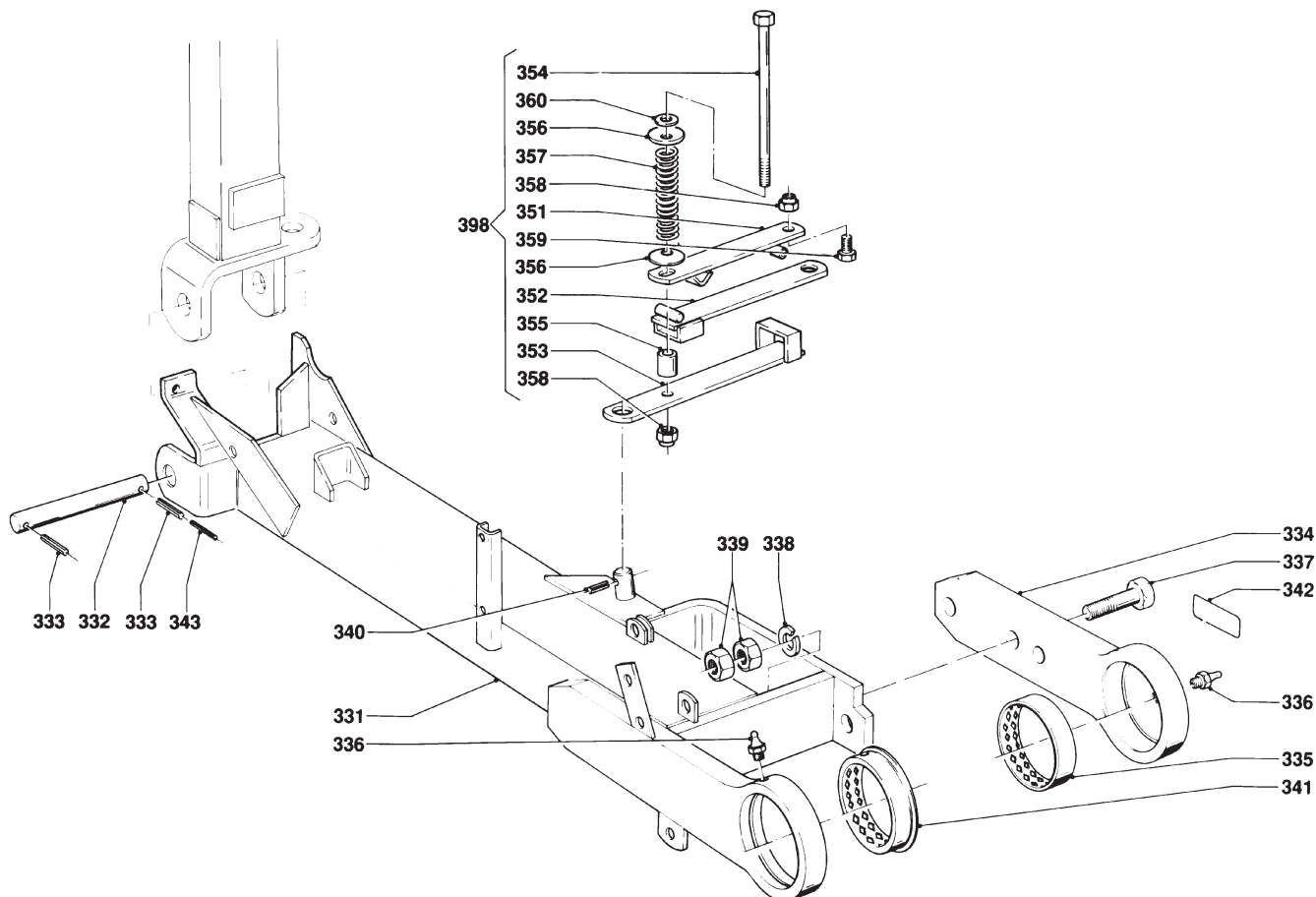
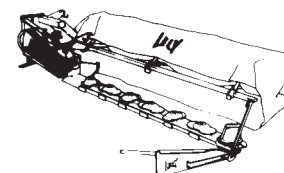
E031-03-20

REF.	ONDERDEELNR. PART NUMBER REFERENCE TEILNUMMER	AANTAL QUANTITY QUANTITE ANZAHL	
331	4.1210.0561.0	1	OPTIMO 240/280
	4.1210.0570.0	1	OPTIMO 320 [x]
332	4.1207.0610.0	1	
333	9.1070.0038*3	2	Ø10x75 DIN 1481
334	4.1207.0580.0	1	
335	4.1201.1482.0	1	
336	9.1068.0007*2	2	AM8x1,25 DIN 71412
337	9.1113.0094*2	3	M20x90 DIN 931-8.8
338	9.1121.0014*5	3	A20 DIN 127 [—/—]
339	9.1029.0016*1	6	M20 DIN 934-8
340	9.1070.0028*0	1	Ø10x60 DIN 1481
341	4.1207.0620.0	1	
342	9.1170.0205.0	2	"SMEERPUNT"
351	4.1201.0220.0	1	
352	4.1201.0230.0	1	
353	4.1201.0240.0	1	
354	9.1113.0161*6	1	M14x260 DIN 931-8.8
355	4.1201.0259.0	1	
356	9.1091.0008*1	3	40x14,3x1,5 DIN 2093
357	4.1203.0219.0	1	
358	9.1030.0015*6	2	M14 DIN 985-8
359	9.1113.0119*6	1	M14x30 DIN 933-8.8
360	9.1048.0053*5	2	A15 DIN 125 [—/—]
361	4.1201.0219.0	1	

REF.	ONDERDEELNR. PART NUMBER REFERENCE TEILNUMMER	AANTAL QUANTITY QUANTITE ANZAHL	
362	9.1029.0012*4	1	M14 DIN 934-8
371	9.1030.0015*6	2	M14 DIN 985-8
372	9.1048.0053*5	2	A15 DIN 125 [—/—]
373	9.1091.0008*1	1	40x14,3x1,5 DIN 2093
374	9.1105.0009.2	1	
375	4.1201.0220.0	1	
376	9.1113.0160*5	1	M14x200 DIN 931-8.8
377	9.1113.0119*6	1	M14x30 DIN 933-8.8
378	4.1201.0230.0	1	
379	4.1201.0259.0	1	
380	4.1201.0240.0	1	
398	4.1203.0210.0	1	= REF. 351-362 240/280
399	4.1219.0090.0	1	= REF. 371-380 320
tst			

LELY

OPTIMO	type number type number numéro de type Typnummer	vanaf serienummer as from serial number après numéro de serie ab Seriennummer
240	4.1203.0001.1	980 - 0501
240	4.1203.0002.1	997 - 0501
280	4.1210.0001.1	981 - 0501
280	4.1210.0002.1	997 - 0501



E031-05-10

REF.	ONDERDEELNR. PART NUMBER REFERENCE TEILNUMMER	AANTAL QUANTITY QUANTITE ANZAHL
------	--	--

331	4.1210.0570.0	1
332	4.1207.0610.0	1
333	9.1070.0038*3	2
334	4.1207.0580.0	1
335	4.1201.1482.0	1

336	9.1068.0007*2	2
337	9.1113.0094*2	3
338	9.1121.0014*5	3
339	9.1029.0016*1	6
340	9.1070.0028*0	1

341	4.1207.0620.0	1
342	9.1170.0205.0	2
343	9.1070.0062*6	1

351	4.1201.0221.0	1
352	4.1201.0231.0	1
353	4.1201.0241.0	1
354	9.1113.0161*6	1
355	4.1201.0259.0	1

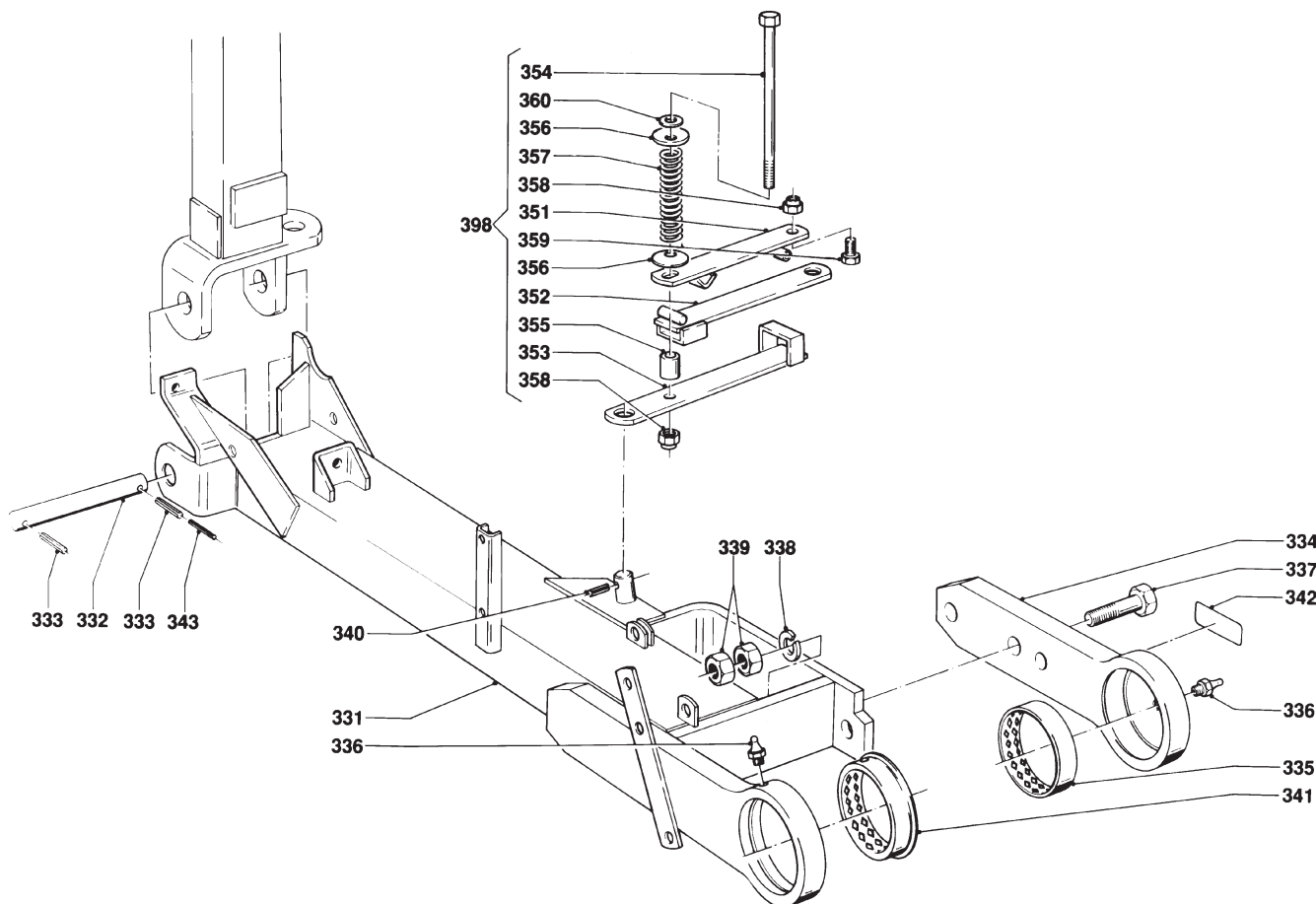
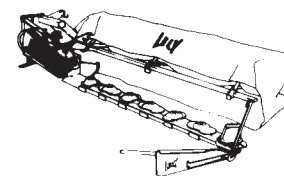
356	9.1091.0008*1	2
357	4.1203.0219.0	1
358	9.1030.0015*6	2
359	9.1113.0119*6	1
360	9.1048.0053*5	1

REF.	ONDERDEELNR. PART NUMBER REFERENCE TEILNUMMER	AANTAL QUANTITY QUANTITE ANZAHL
------	--	--

398 4.1203.0210.0 1 = REF. 351-360

LELY

OPTIMO	type number type number numéro de type Typnummer	vanaf serienummer as from serial number après numéro de serie ab Seriennummer
240	4.1203.0004.1	1010 - 0501
240	4.1203.0005.1	10112 - 0501
280	4.1210.0004.1	1011 - 0501
280	4.1210.0005.1	10112 - 0501



E031-06-10

REF.	ONDERDEELNR. PART NUMBER REFERENCE TEILNUMMER	AANTAL QUANTITY QUANTITE ANZAHL	
------	--	--	--

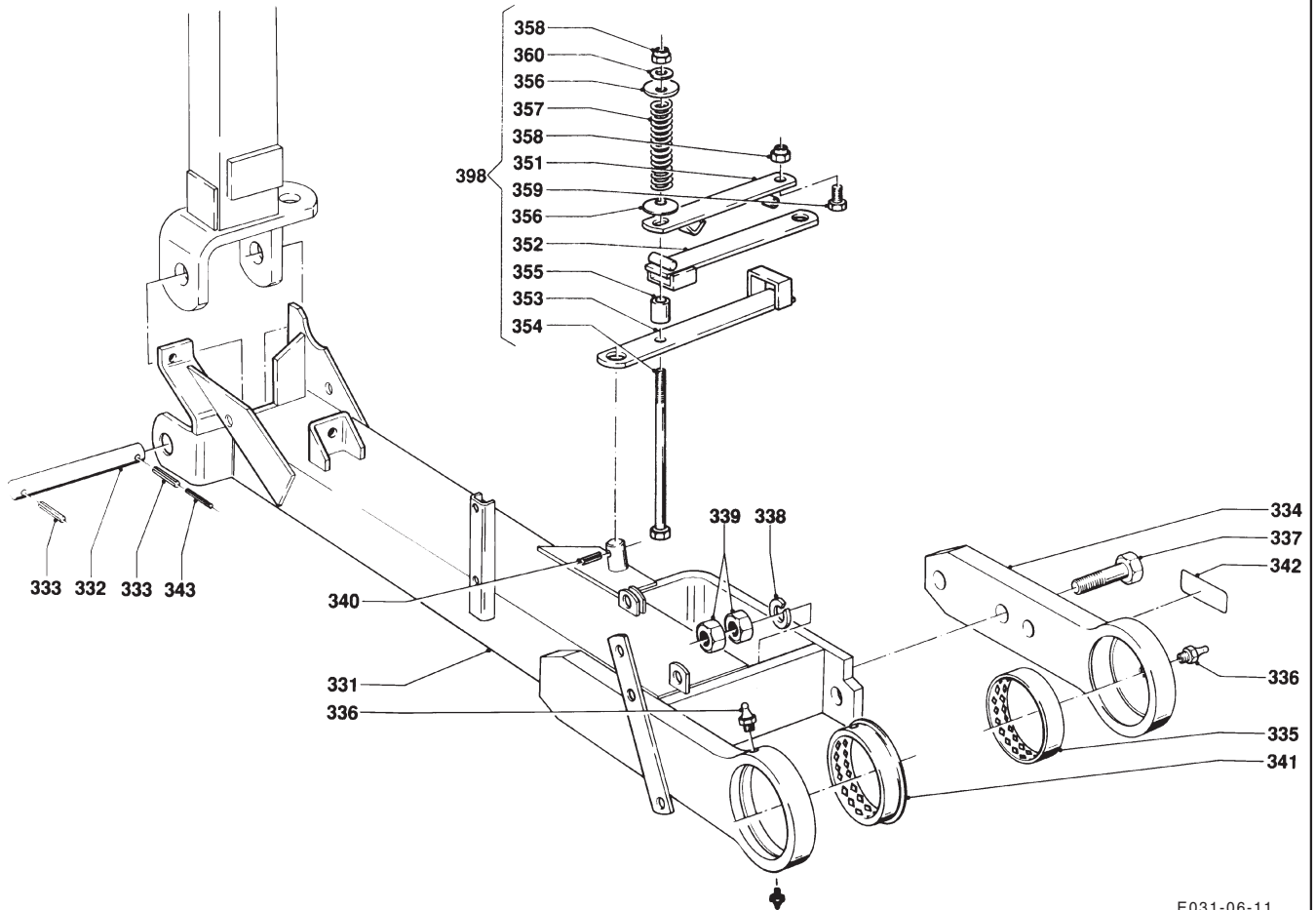
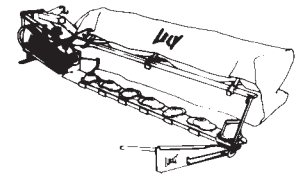
331	4.1225.0241.0	1	
332	4.1207.0610.0	1	
333	9.1070.0038.3	2	Ø10x75 DIN 1481
334	4.1207.0580.0	1	
335	4.1201.1482.0	1	
336	9.1068.0007*2	2	AM8x1,25 DIN 71412
337	9.1113.0094*2	3	M20x90 DIN 931-8.8
338	9.1121.0014*5	3	A20 DIN 127 [—]
339	9.1029.0016*1	6	M20 DIN 934-8
340	9.1070.0028.0	1	Ø10x60 DIN 1481
341	4.1207.0620.0	1	
342	9.1170.0205.0	2	"Smeerpunt" "Greasing point" "Point de graissage" "Schmierstelle"
343	9.1070.0062.6	1	Ø6x75 DIN 1481

REF.	ONDERDEELNR. PART NUMBER REFERENCE TEILNUMMER	AANTAL QUANTITY QUANTITE ANZAHL	
------	--	--	--

351	4.1201.0221.0	1	
352	4.1201.0231.0	1	
353	4.1201.0241.0	1	
354	9.1113.0161*6	1	M14x260 DIN 931-8.8
355	4.1201.0259.0	1	
356	9.1091.0008*1	2	40x14,3x1,5 DIN 2093
357	4.1203.0219.0	1	
358	9.1030.0015*6	2	M14 DIN 985-8
359	9.1113.0119*6	1	M14x30 DIN 933-8.8
360	9.1048.0053*5	1	A15 DIN 125 [—]
398	4.1203.0210.0	1	= REF. 351-360

LELY

OPTIMO	type number type number numéro de type Typnummer	vanaf serienummer as from serial number après numéro de serie ab Seriennummer
240	4.1203.0005.1	10210 - 0651
280	4.1210.0005.1	10203 - 0601



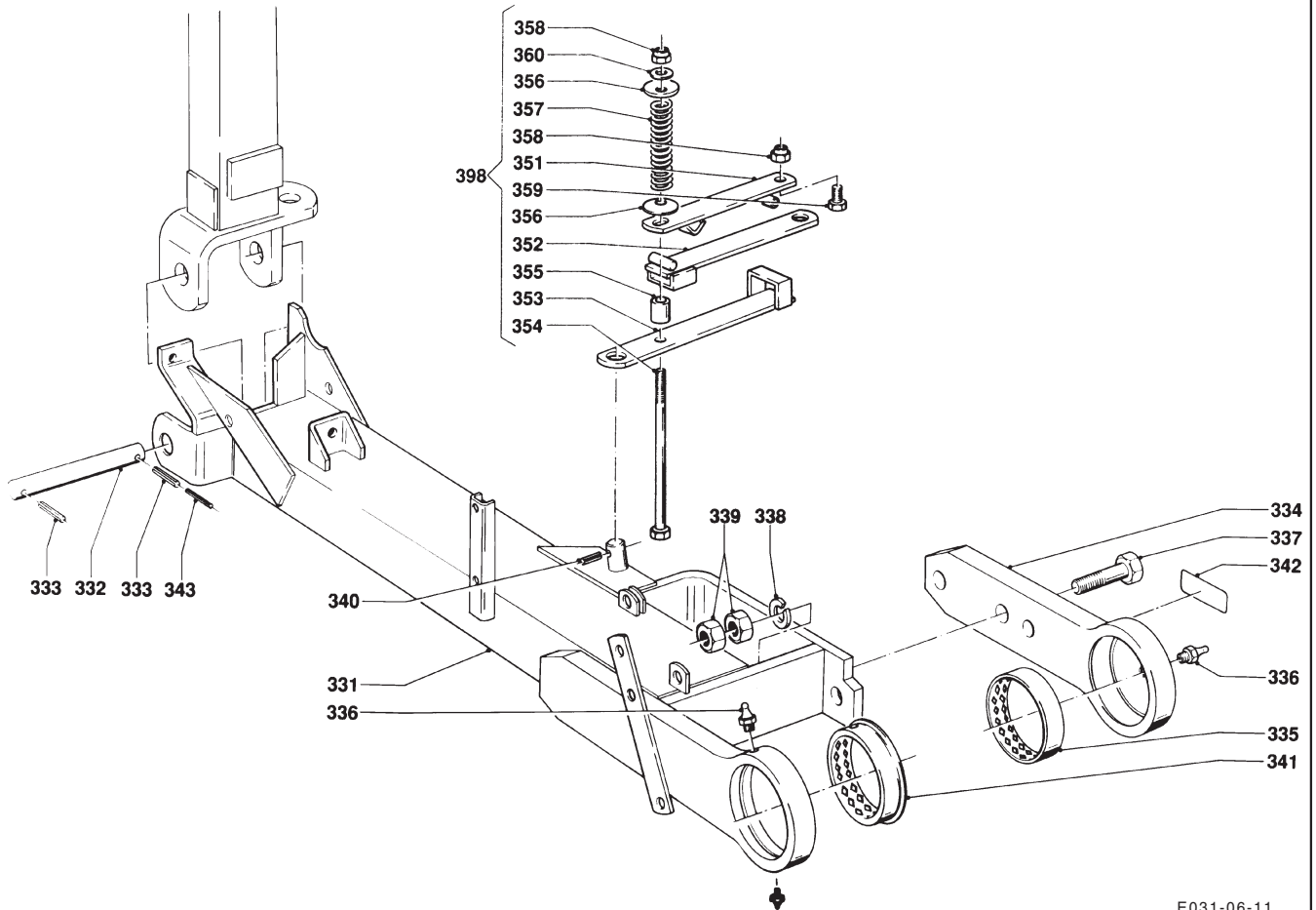
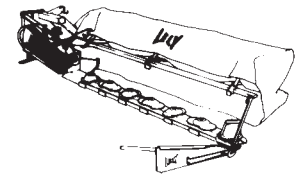
E031-06-11

REF.	ONDERDEELNR. PART NUMBER REFERENCE TEILNUMMER	AANTAL QUANTITY QUANTITE ANZAHL	
331	4.1225.0241.0	1	
332	4.1207.0610.0	1	
333	9.1070.0038.3	2	Ø10x75 DIN 1481
334	4.1207.0580.0	1	
335	4.1201.1482.0	1	
336	9.1068.0007*2	3	AM8x1,25 DIN 71412
337	9.1113.0094*2	3	M20x90 DIN 931-8.8
338	9.1121.0014*5	3	A20 DIN 127 [—]
339	9.1029.0016*1	6	M20 DIN 934-8
340	9.1070.0028.0	1	Ø10x60 DIN 1481
341	4.1207.0620.0	1	
342	9.1170.0205.0	2	"Smeerpunt" "Greasing point" "Point de graissage" "Schmierstelle"
343	9.1070.0062.6	1	Ø6x75 DIN 1481

REF.	ONDERDEELNR. PART NUMBER REFERENCE TEILNUMMER	AANTAL QUANTITY QUANTITE ANZAHL	
351	4.1219.0111.0	1	
352	4.1219.0121.0	1	
353	4.1219.0130.0	1	
354	9.1113.0161*6	1	M14x260 DIN 931-8.8
355	4.1219.0098.0	1	
356	9.1091.0008*1	2	40x14,3x1,5 DIN 2093
357	4.1203.0219.0	1	
358	9.1030.0015*6	2	M14 DIN 985-8
359	9.1113.0178*2	1	M14x35 DIN 933-10.9
360	9.1048.0053*5	1	A15 DIN 125 [—]
398	4.1229.0190.0	1	= REF. 351-360

LELY

OPTIMO	type number type number numéro de type Typnummer	vanaf serienummer as from serial number après numéro de serie ab Seriennummer
240	4.1203.0005.1	10406 - 0786



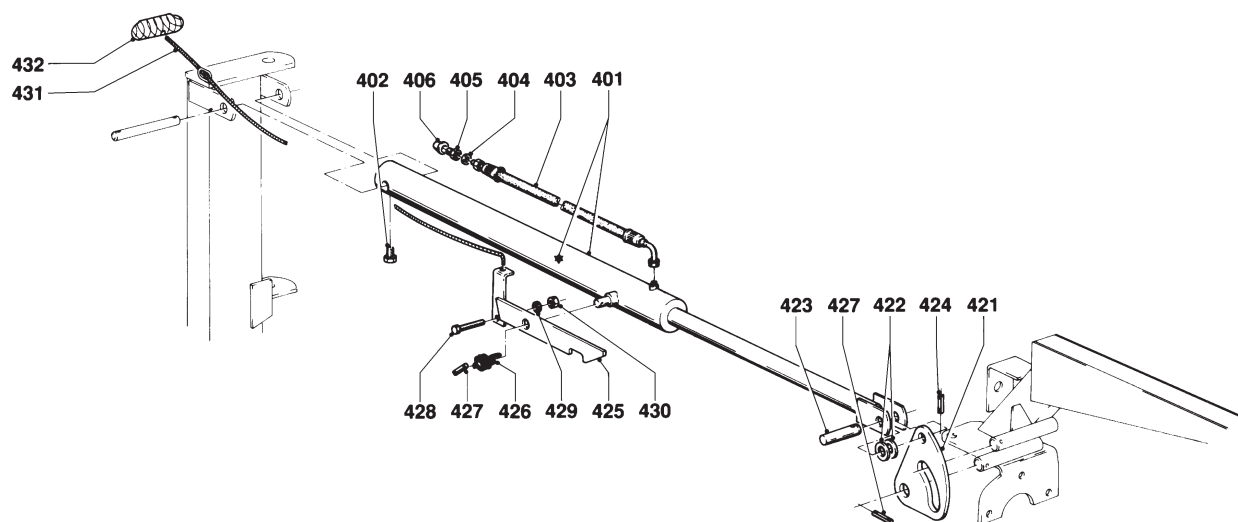
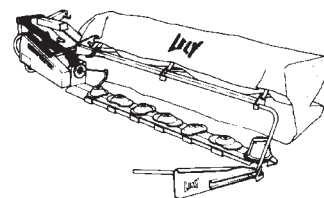
E031-06-11

REF.	ONDERDEELNR. PART NUMBER REFERENCE TEILNUMMER	AANTAL QUANTITY QUANTITE ANZAHL	
331	4.1225.0241.0	1	
332	4.1207.0610.0	1	
333	9.1070.0038.3	2	Ø10x75 DIN 1481
334	4.1207.0580.0	1	
335	4.1201.1482.0	1	
336	9.1068.0007*2	3	AM8x1,25 DIN 71412
337	9.1113.0094*2	3	M20x90 DIN 931-8.8
338	9.1121.0014*5	3	A20 DIN 127 [—]
339	9.1029.0016*1	6	M20 DIN 934-8
340	9.1070.0028.0	1	Ø10x60 DIN 1481
341	4.1207.0620.0	1	
342	9.1170.0205.0	2	"Smeerpunt" "Greasing point" "Point de graissage" "Schmierstelle"
343	9.1070.0062.6	1	Ø6x75 DIN 1481

REF.	ONDERDEELNR. PART NUMBER REFERENCE TEILNUMMER	AANTAL QUANTITY QUANTITE ANZAHL	
351	4.1219.0111.0	1	
352	4.1219.0122.0	1	
353	4.1219.0131.0	1	
354	9.1113.0161*6	1	M14x260 DIN 931-8.8
355	4.1220.0809.0	1	
356	9.1091.0008*1	2	40x14,3x1,5 DIN 2093
357	4.1203.0219.0	1	
358	9.1030.0015*6	2	M14 DIN 985-8
359	9.1113.0178*2	1	M14x35 DIN 933-10.9
360	9.1048.0053*5	1	A15 DIN 125 [—]
398	4.1229.0191.0	1	= REF. 351-360

LELY

OPTIMO	type number type number numéro de type Typnummer	vanaf serienummer as from serial number après numéro de série ab Seriennummer
240	4.1203.0000.1	949 - 5001
280	4.1210.0000.1	960 - 0501



E005-03-20

REF.	ONDERDEELNR. PART NUMBER REFERENCE TEILNUMMER	AANTAL QUANTITY QUANTITE ANZAHL
------	--	--

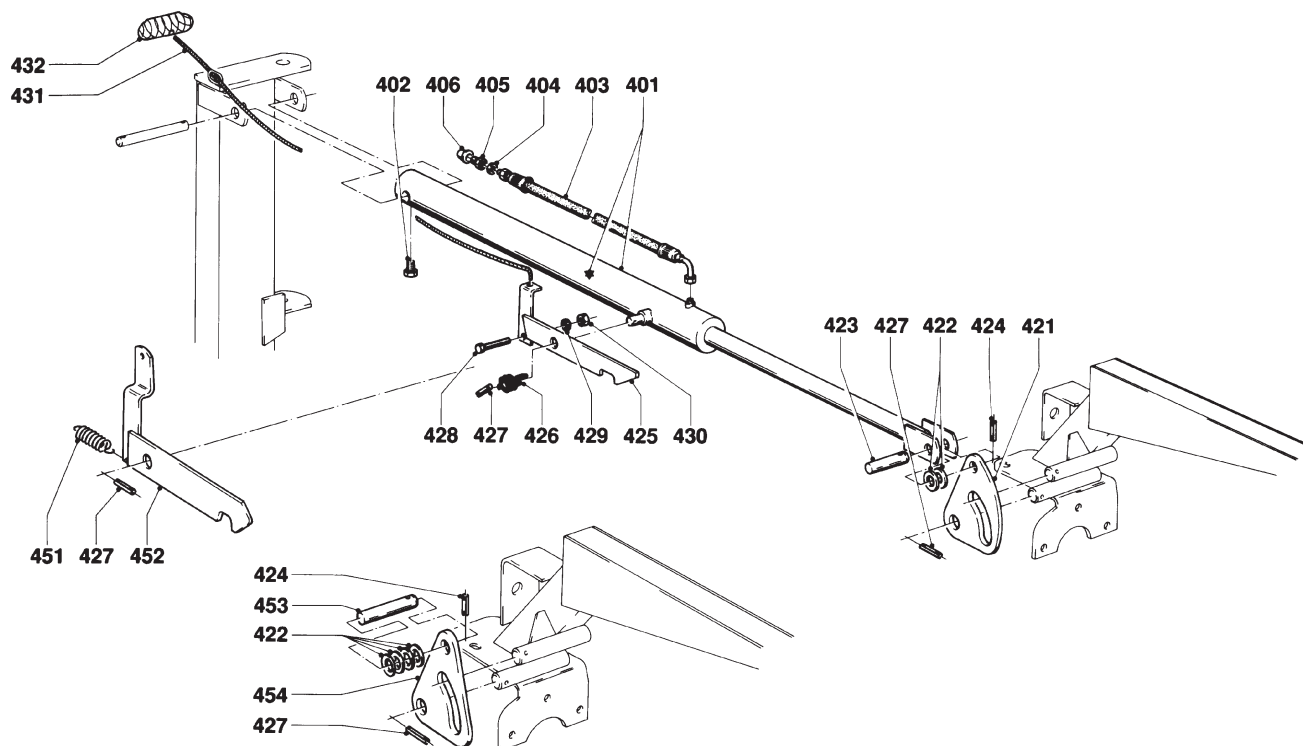
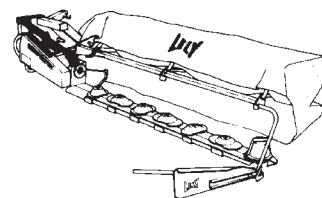
			LELY OPTIMO 240
401	4.1201.0190.0	1	(401= 401+ ★ +402)
★	4.1201.0194.0	1	(Ø30-Ø60) [A+A]
			LELY OPTIMO 280
401	4.1201.0191.0	1	(401= 401+ ★ +402)
★	4.1201.0193.0	1	(Ø25-Ø60) [A+A]
402	9.1150.0004.1	1	M14x1,5
403	4.1016.0530.0	1	L= 2060 mm
404	9.1137.0401.5	-	Ø14x20x1,5
405	9.1137.0606.0	-	RED-R 3/8"-1/4"
	9.1137.0604.5	-	M18x1,5-1/4"
	9.1137.0603.4	-	RED-R 1/2"-1/4"
	9.1137.0608.2	-	M22x1,5-1/4"
406	9.1108.0030.6	-	3/8"
	9.1108.0032.1	-	M18
	9.1108.0023.6	-	1/2"
	9.1108.0035.5	-	M22

REF.	ONDERDEELNR. PART NUMBER REFERENCE TEILNUMMER	AANTAL QUANTITY QUANTITE ANZAHL
------	--	--

421	4.1201.0136.0	1	
422	9.1048.0019*6	4	A21 DIN 125 [—]
423	4.1201.1495.0	1	
424	9.1070.0019*5	1	Ø6x50 DIN 1481
425	4.1201.0590.0	1	
426	4.1002.0064.0	1	
427	9.1070.0023*2	3	Ø8x50 DIN 1481
428	9.1113.0132*5	1	M10x50 DIN 933-8.8
429	9.1051.0002*0	1	A10,5 DIN 6798 [////]
430	9.1029.0005*4	1	M10 DIN 934-8
431	9.1163.0008.6	1	Ø6 L= 4000 mm
432	2.3201.0328.0	1	

LELY

OPTIMO	type number type number numéro de type Typnummer	vanaf serienummer as from serial number après numéro de serie ab Seriennummer
240	4.1203.0000.1	949 - 5001
280	4.1210.0000.1	970 - 0501
320	4.1219.0000.1	972 - 0501



E005-03-00

REF.	ONDERDEELNR. PART NUMBER REFERENCE TEILNUMMER	AANTAL QUANTITY QUANTITE ANZAHL	240	280	320	
------	--	--	-----	-----	-----	--

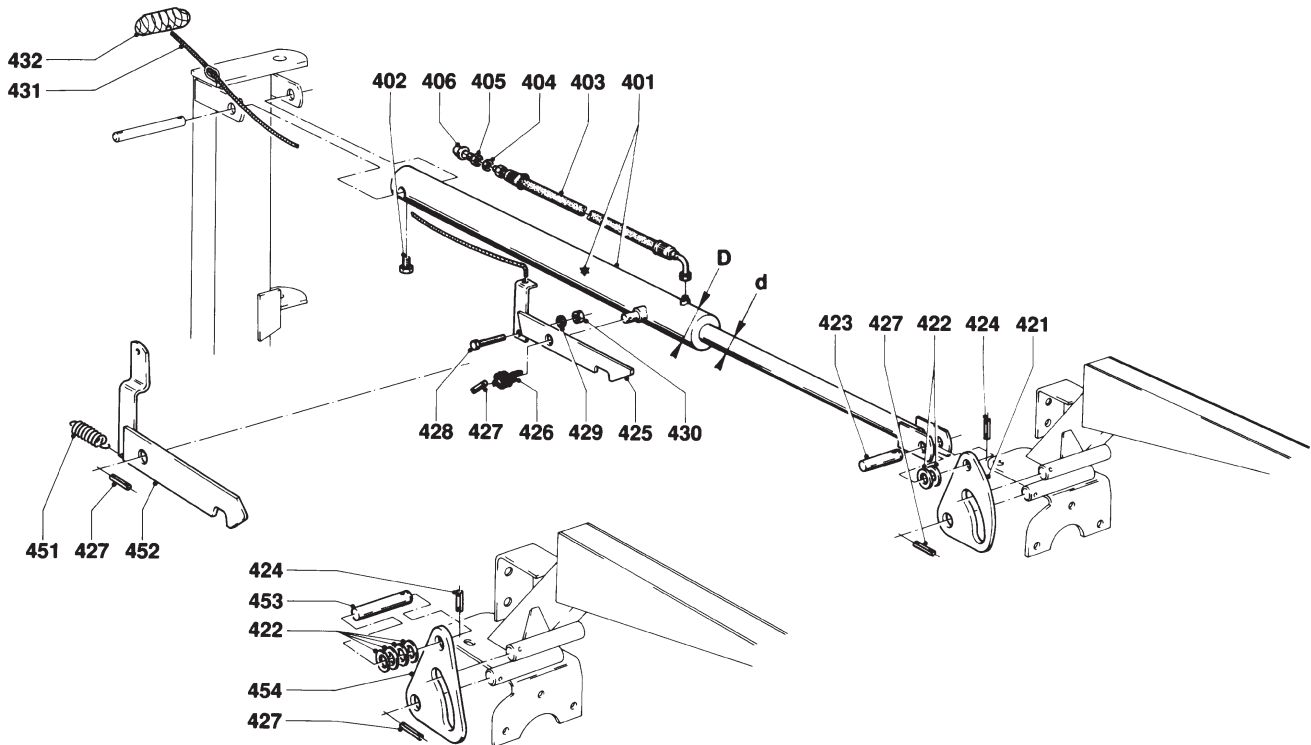
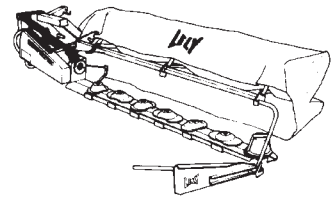
REF.	ONDERDEELNR. PART NUMBER REFERENCE TEILNUMMER	AANTAL QUANTITY QUANTITE ANZAHL	240	280	320	
401	4.1201.0190.0	1	-	-	(401= 401+ ★ +402)	
★	4.1201.0194.0	1	-	-	(Ø30-Ø60)	[A+A]
401	4.1210.0040.0	-	1	1	(401= 401+ ★ +402)	
★	4.1210.0049.0	-	1	1	(Ø30-Ø70)	[A+A]
402	9.1150.0004.1	1	1	1	M14x1,5	
403	4.1016.0530.0	1	1	1	L= 2060 mm	
404	9.1137.0401.5	-	-	-	Ø14x20x1,5	[]
405	9.1137.0606.0	-	-	-	RED-R 3/8"-1/4"	
	9.1137.0604.5	-	-	-	M18x1,5-1/4"	
	9.1137.0603.4	-	-	-	RED-R 1/2"-1/4"	
	9.1137.0608.2	-	-	-	M22x1,5-1/4"	
406	9.1108.0030.6	-	-	-	3/8"	
	9.1108.0032.1	-	-	-	M18	
	9.1108.0023.6	-	-	-	1/2"	
	9.1108.0035.5	-	-	-	M22	

REF.	ONDERDEELNR. PART NUMBER REFERENCE TEILNUMMER	AANTAL QUANTITY QUANTITE ANZAHL	240	280	320	
------	--	--	-----	-----	-----	--

REF.	ONDERDEELNR. PART NUMBER REFERENCE TEILNUMMER	AANTAL QUANTITY QUANTITE ANZAHL	240	280	320	
421	4.1201.0136.0	1	-	-		
422	9.1048.0019*6	4	4	4	A21 DIN 125	[]
423	4.1201.1495.0	1	-	-		
424	9.1070.0019*5	1	1	1	Ø6x50 DIN 1481	
425	4.1201.0590.0	1	-	-		
426	4.1002.0064.0	1	-	-		
427	9.1070.0023*2	3	3	3	Ø8x50 DIN 1481	
428	9.1113.0132*5	1	-	-	M10x50 DIN 933-8.8	
429	9.1051.0002*0	1	-	-	A10,5 DIN 6798	[]
430	9.1029.0005*4	1	-	-	M10 DIN 934-8	
431	9.1163.0008.6	1	1	1	Ø6 L= 4000 mm	
432	2.3201.0328.0	1	1	1		
451	9.1089.0013.1	-	1	1		
452	4.1210.0520.0	-	1	-		
	4.1219.0100.0	-	-	1		
453	4.1210.1495.0	-	1	1		
454	4.1210.1494.0	-	1	1		

LELY

OPTIMO	type number type number numéro de type Typnummer	vanaf serienummer as from serial number après numéro de série ab Seriennummer
240	4.1203.0000.1	949 - 5001
240	4.1203.0001.1	980 - 0501
280	4.1210.0001.1	981 - 0501
320	4.1219.0001.1	982 - 0501



E005-04-01

REF.	ONDERDEELNR. PART NUMBER REFERENCE TEILNUMMER	AANTAL QUANTITY QUANTITE ANZAHL	240	280	320	
------	--	--	-----	-----	-----	--

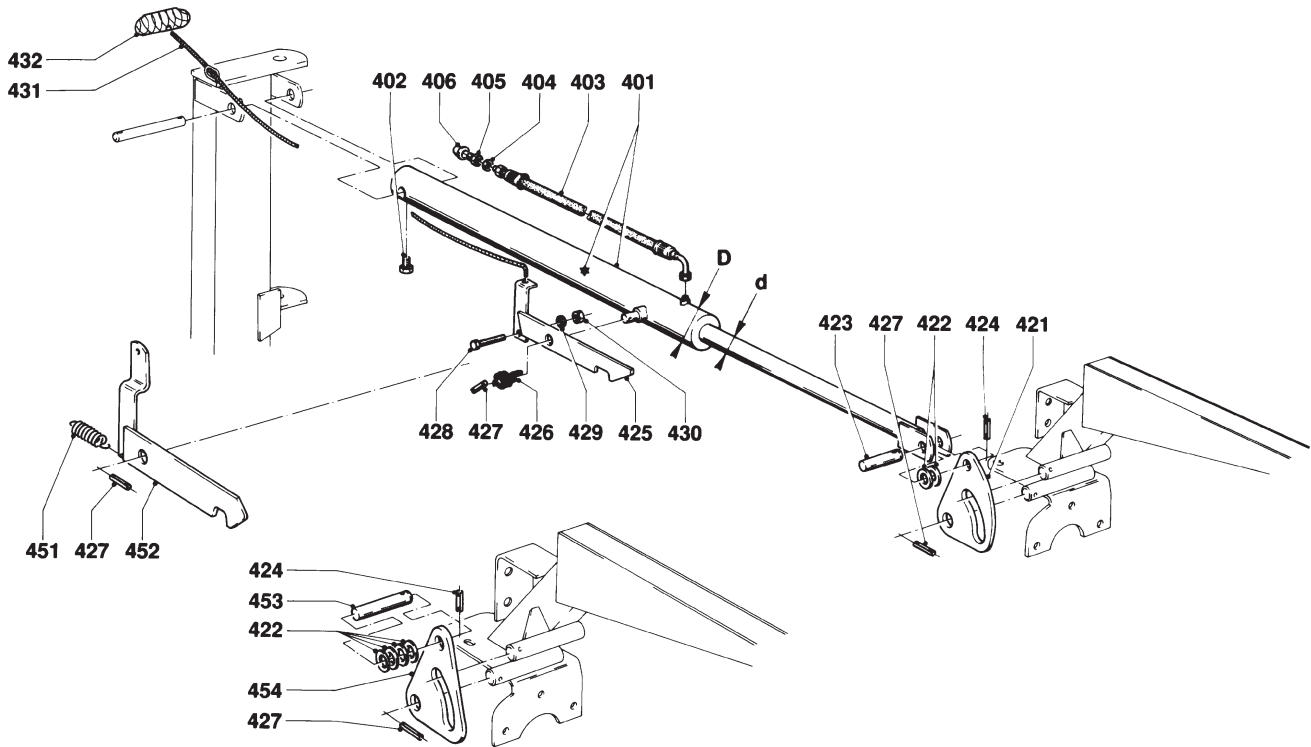
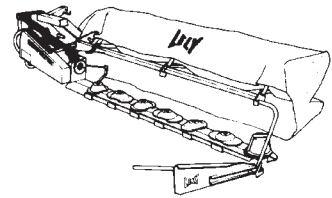
REF.	ONDERDEELNR. PART NUMBER REFERENCE TEILNUMMER	AANTAL QUANTITY QUANTITE ANZAHL	240	280	320	
401	4.1201.0190.0	1	-	-		(401= 401+ ★ +402)
★	4.1201.0194.0	1	-	-		(d= Ø30, D= Ø60) [A+A]
401	4.1210.0040.0	-	1	1		(401= 401+ ★ +402)
★	4.1210.0049.0	-	1	1		(d= Ø30, D= Ø70) [A+A]
402	9.1150.0004.1	1	1	1		M14x1,5
403	4.1016.0530.0	1	1	1		L= 2060 mm
404	9.1137.0401.5	-	-	-		Ø14x20x1,5 []
405	9.1137.0606.0	-	-	-		RED-R 3/8"-1/4"
	9.1137.0604.5	-	-	-		M18x1,5-1/4"
	9.1137.0603.4	-	-	-		RED-R 1/2"-1/4"
	9.1137.0608.2	-	-	-		M22x1,5-1/4"
406	9.1108.0030.6	-	-	-		3/8"
	9.1108.0032.1	-	-	-		M18
	9.1108.0023.6	-	-	-		1/2"
	9.1108.0035.5	-	-	-		M22

REF.	ONDERDEELNR. PART NUMBER REFERENCE TEILNUMMER	AANTAL QUANTITY QUANTITE ANZAHL	240	280	320	
------	--	--	-----	-----	-----	--

REF.	ONDERDEELNR. PART NUMBER REFERENCE TEILNUMMER	AANTAL QUANTITY QUANTITE ANZAHL	240	280	320	
421	4.1201.0136.0	1	1	-		
422	9.1048.0019*6	4	4	4		A21 DIN 125 []
423	4.1201.1495.0	1	-	-		
424	9.1070.0019*5	1	1	1		Ø6x50 DIN 1481
425	4.1201.0590.0	1	-	-		
426	4.1002.0064.0	1	-	-		
427	9.1070.0023*2	3	3	3		Ø8x50 DIN 1481
428	9.1113.0132*5	1	-	-		M10x50 DIN 933-8.8
429	9.1051.0002*0	1	-	-		A10,5 DIN 6798 []
430	9.1029.0005*4	1	-	-		M10 DIN 934-8
431	4.1201.1462.0	1	1	1		Ø6x 4m (1m= 9.1163.0004.2)
432	2.3201.0328.0	1	1	1		
451	9.1089.0014.2	-	1	1		
452	4.1219.0100.0	-	1	1		
453	4.1210.1495.0	-	1	1		
454	4.1210.1494.0	-	-	1		

LELY

OPTIMO	type number type number numéro de type Typnummer	vanaf serienummer as from serial number après numéro de serie ab Seriennummer
240	4.1203.0001.1	988 - 0606
240	4.1203.0002.1	997 - 0501
280	4.1210.0001.1	981 - 0501



E005-04-01

REF.	ONDERDEELNR. PART NUMBER REFERENCE TEILNUMMER	AANTAL QUANTITY QUANTITE ANZAHL	
------	--	--	--

240 280

401	4.1201.0191.0	1	-	(401= 401+ * +402)
*	4.1201.0193.0	1	-	(d= Ø25, D= Ø50/60) [A+A][x]
401	4.1210.0040.0	-	1	(401= 401+ * +402)
*	4.1210.0049.0	-	1	(d= Ø30, D= Ø60/70) [A+A][x]
402	9.1150.0004.1	1	1	M14x1,5
403	4.1016.0530.0	1	1	L= 2060 mm
404	9.1137.0401.5	-	-	Ø14x20x1,5 []
405	9.1137.0606.0	-	-	RED-R 3/8"-1/4"
	9.1137.0604.5	-	-	M18x1,5-1/4"
	9.1137.0603.4	-	-	RED-R 1/2"-1/4"
	9.1137.0608.2	-	-	M22x1,5-1/4"
406	9.1108.0030.6	-	-	3/8"
	9.1108.0032.1	-	-	M18
	9.1108.0023.6	-	-	1/2"
	9.1108.0035.5	-	-	M22

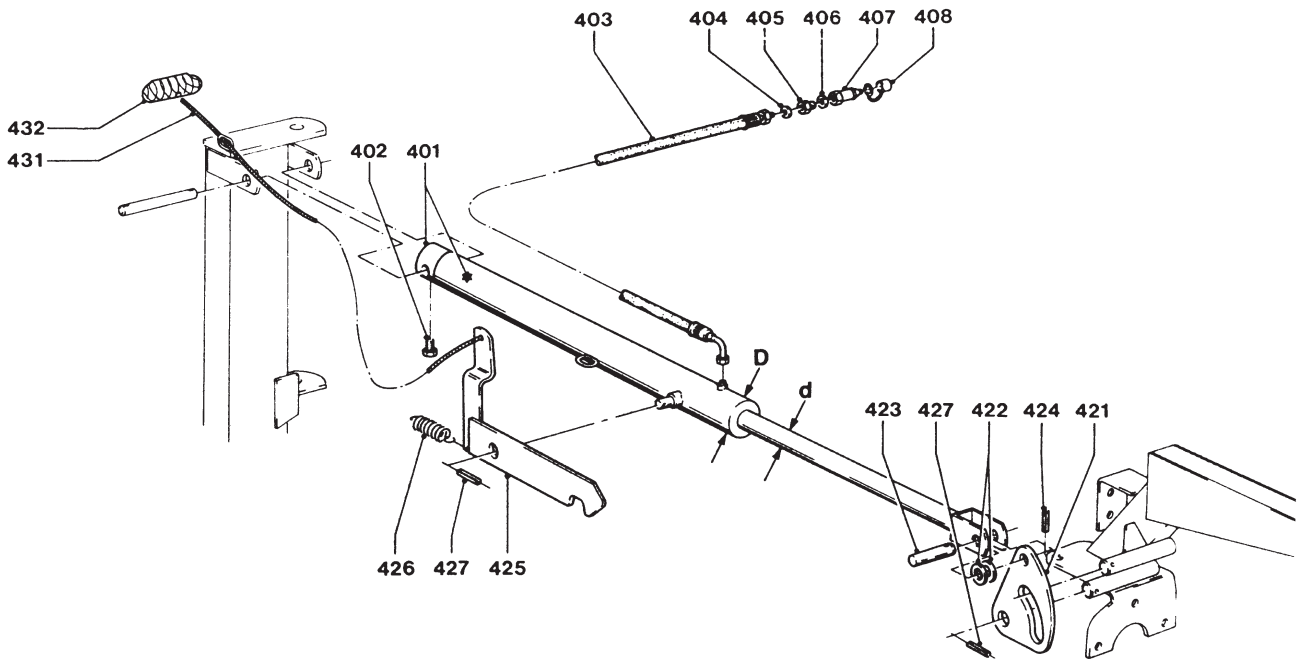
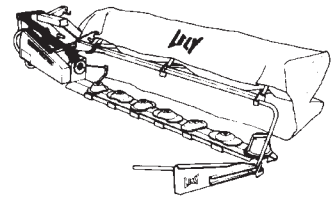
REF.	ONDERDEELNR. PART NUMBER REFERENCE TEILNUMMER	AANTAL QUANTITY QUANTITE ANZAHL	
------	--	--	--

240 280

421	4.1201.0136.0	1	1	
422	9.1048.0019*6	4	4	A21 DIN 125 []
423	4.1201.1495.0	1	-	
424	9.1070.0019*5	1	1	Ø6x50 DIN 1481
425	4.1201.0590.0	1	-	
426	4.1002.0064.0	1	-	
427	9.1070.0023*2	3	3	Ø8x50 DIN 1481
428	9.1113.0132*5	1	-	M10x50 DIN 933-8.8
429	9.1051.0002*0	1	-	A10,5 DIN 6798 []
430	9.1029.0005*4	1	-	M10 DIN 934-8
431	4.1201.1462.0	1	1	Ø6x 4m (1m= 9.1163.0004.2)
432	2.3201.0328.0	1	1	
451	9.1089.0014.2	-	1	
452	4.1219.0100.0	-	1	
453	4.1210.1495.0	-	1	

LELY

OPTIMO	type number type number numéro de type Typnummer	vanaf serienummer as from serial number après numéro de serie ab Seriennummer
240	4.1203.0002.1	1004 - 0851
280	4.1210.0001.1	981 - 0501
280	4.1210.0002.1	997 - 0501



E005-06-00

REF.	ONDERDEELNR. PART NUMBER REFERENCE TEILNUMMER	AANTAL QUANTITY QUANTITE ANZAHL	
------	--	--	--

240 280

401	4.1201.0192.0	1	-	(401= 401+ * +402)
*	4.1201.0193.0	1	-	(d= Ø25, D= Ø50/60) [A+A][x]
401	4.1210.0040.0	-	1	(401= 401+ * +402)
*	4.1210.0049.0	-	1	(d= Ø30, D= Ø60/70) [A+A][x]
402	9.1150.0004.1	1	1	M14x1,5
403	4.1016.0530.0	1	1	L= 2060 mm
404	9.1137.0401.5	1	1	Ø14x20x1,5 []
405	9.1137.0603.4	1	1	1/2"-1/4"
406	9.1137.0402.6	1	1	Ø22x29x1,5 []
407	9.1137.0302.4	1	1	1/2" G
408	9.1137.0303.5	1	1	1/2" PVC

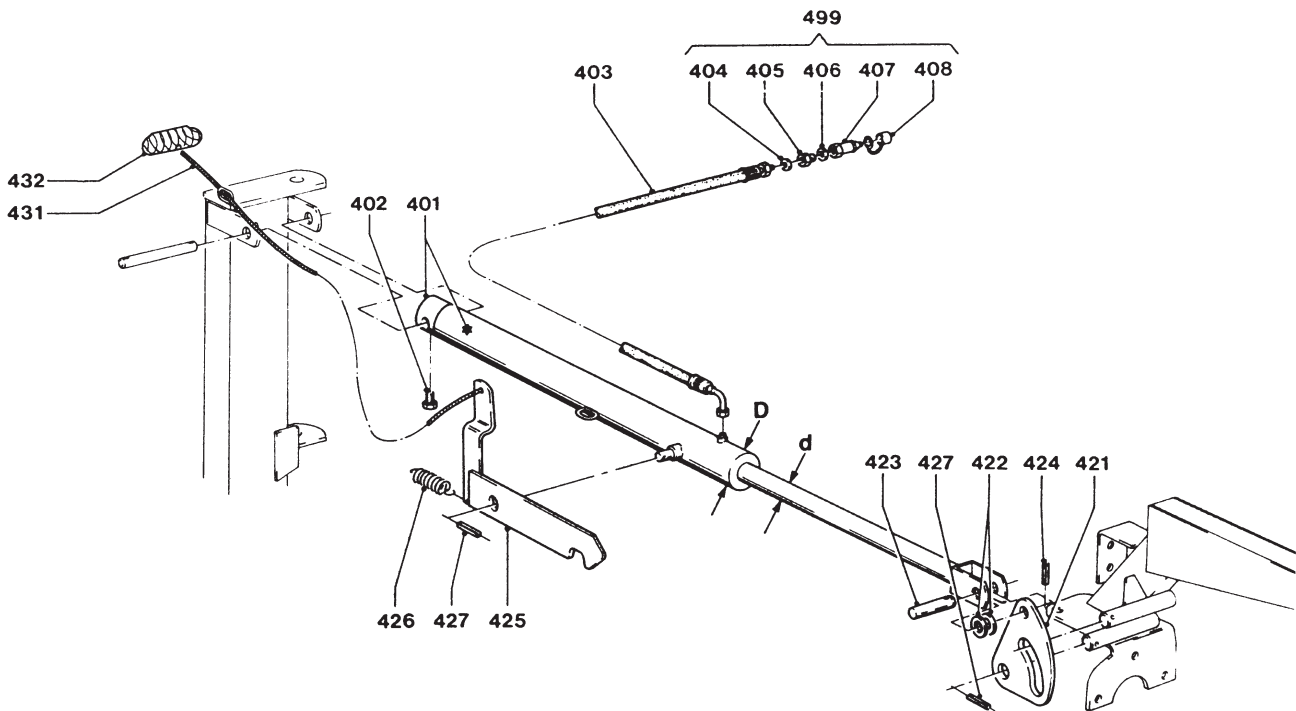
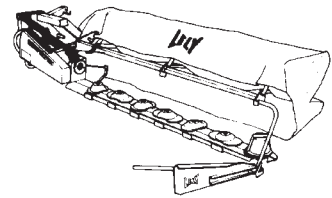
REF.	ONDERDEELNR. PART NUMBER REFERENCE TEILNUMMER	AANTAL QUANTITY QUANTITE ANZAHL	
------	--	--	--

240 280

421	4.1201.0136.0	1	1	
422	9.1048.0019*6	4	4	A21 DIN 125 []
423	4.1210.1495.0	1	1	
424	9.1070.0019*5	1	1	Ø6x50 DIN 1481
425	4.1210.0520.0	1	-	
	4.1219.0100.0	-	1	
426	9.1089.0014.2	1	1	
427	9.1070.0023*2	3	3	Ø8x50 DIN 1481
431	4.1201.1462.0	1	1	Ø6x4m (1m= 9.1163.0004.2)
432	2.3201.0328.0	1	1	

LELY

OPTIMO	type number type number numéro de type Typnummer	vanaf serienummer as from serial number après numéro de serie ab Seriennummer
240	4.1203.0004.1	1010 - 0501
240	4.1203.0005.1	10112 - 0501
280	4.1210.0004.1	1011 - 0501
280	4.1210.0005.1	10112 - 0501



E005-06-01

REF.	ONDERDEELNR. PART NUMBER REFERENCE TEILNUMMER	AANTAL QUANTITY QUANTITE ANZAHL	
------	--	--	--

240 280

401	4.1201.0192.0	1	- (401= 401+ ★ +402)
★	4.1201.0193.0	(1)	- (d= Ø25, D= Ø50/60) [A+A][x]
401	4.1210.0041.0	-	1 (401= 401+ ★ +402)
★	4.1207.0399.0	-	(1) (d= Ø35, D= Ø60/70) [A+A][x]
402	9.1150.0004.1	(1)	(1) M14x1,5
403	4.1016.0530.0	1	1 L= 2060 mm
404	9.1137.0401.5	1	1 Ø14x20x1,5 Cu []
405	9.1137.0603.4	1	1 1/2"-1/4"
406	9.1137.0402.6	1	1 Ø22x29x1,5 Cu []
407	9.1137.0302.4	1	1 1/2" G
408	9.1137.0303.5	1	1 1/2" PVC
499	2.3201.2312.0	1	1 = REF. 404-408 1/2"-1/4"

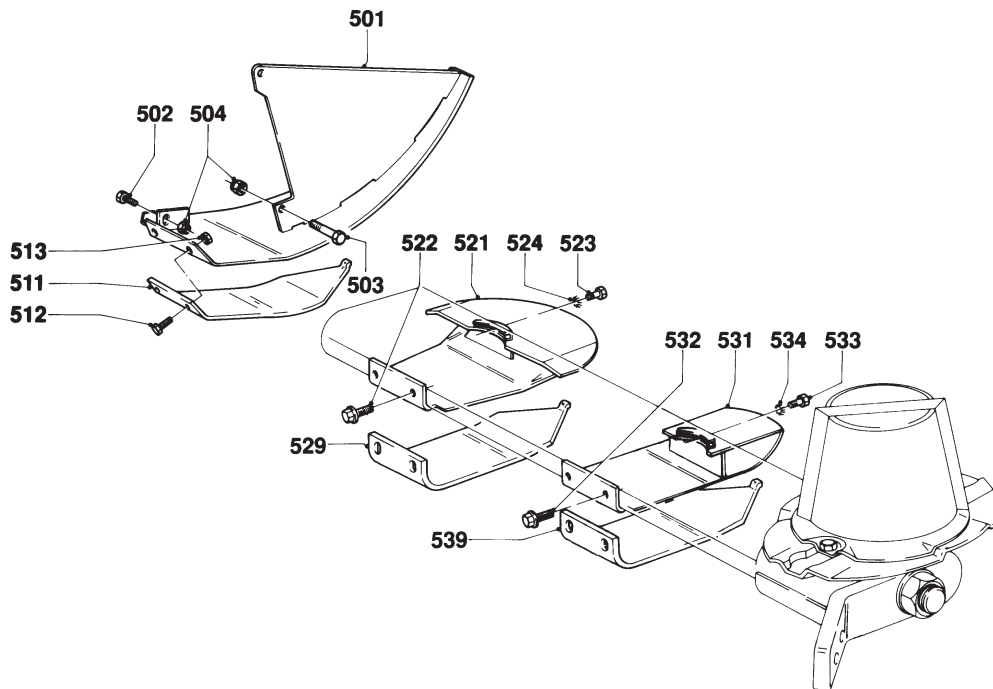
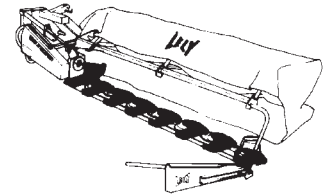
REF.	ONDERDEELNR. PART NUMBER REFERENCE TEILNUMMER	AANTAL QUANTITY QUANTITE ANZAHL	
------	--	--	--

240 280

421	4.1201.0136.0	1	-
	4.1223.0199.0	-	1
422	9.1048.0019*6	4	- A21 DIN 125 []
	9.1048.0045*4	-	2 26 DIN 126 []
423	4.1210.1495.0	1	-
	4.1225.1498.0	-	1
424	9.1070.0019.5	1	- Ø6x50 DIN 1481
	9.1070.0023.2	-	1 Ø8x50 DIN 1481
425	4.1210.0520.0	1	-
	4.1225.0300.0	-	1
426	9.1089.0014.2	1	1
427	9.1070.0023.2	3	3 Ø8x50 DIN 1481
431	4.1201.1462.0	1	1 Ø6x4m (1m= 9.1163.0004.2)
432	2.3201.0328.0	1	1

LELY

OPTIMO	type number type number numéro de type Typnummer	vanaf serienummer as from serial number après numéro de serie ab Seriennummer
240	4.1203.0000.1 4.1203.0001/2.1	949 - 5001 980 - 0501
280	4.1210.0000.1 4.1210.0001/2.1	947 - 0501 981 - 0501
320	4.1219.0000.1	972 - 0501



E006-06-10

REF.	ONDERDEELNR. PART NUMBER REFERENCE TEILNUMMER	AANTAL QUANTITY QUANTITE ANZAHL
------	--	--

501	4.1201.0361.0	1
502	9.1113.0117*4	1
503	9.1113.0041*5	1
504	9.1030.0004*2	2
511	4.1201.2003.0	1
	4.1201.2006.0	1
512	9.1114.0009*0	2
513	9.1030.0004*2	2

240/280/320

521	4.1201.0410.0	6/7/8
522	9.1114.0009*0	12/14/16
523	9.1113.0267*0	6/7/8
524	9.1051.0001*6	6/7/8
529	4.1201.2002.0	6/7/8
	4.1201.2005.0	6/7/8

REF.	ONDERDEELNR. PART NUMBER REFERENCE TEILNUMMER	AANTAL QUANTITY QUANTITE ANZAHL
------	--	--

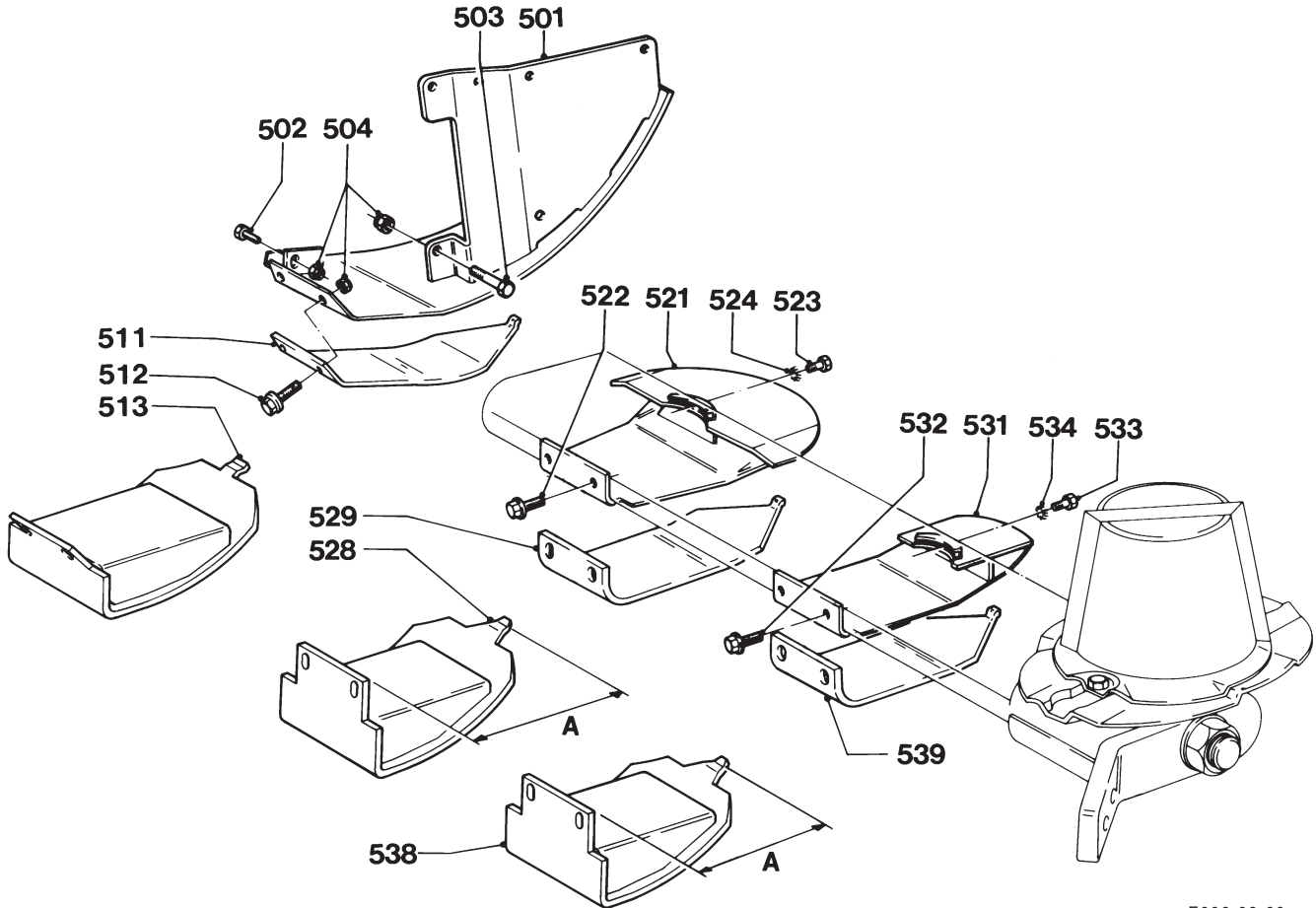
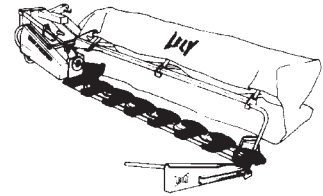
240/280/320

531	4.1201.2200.0	6/7/8
532	9.1114.0009*0	12/14/16
533	9.1113.0267*0	6/7/8
534	9.1051.0001*6	6/7/8
539	4.1201.2004.0	6/7/8
	4.1201.2007.0	6/7/8

Slijtplaten
Wear plates
Plaques d'usure
Verschleissplatten

LELY

OPTIMO	type number type number numéro de type Typnummer	vanaf serienummer as from serial number après numéro de serie ab Seriennummer
240	4.1203.0004.1	1010 - 0501
240	4.1203.0005.1	10112 - 0501
280	4.1210.0004.1	1011 - 0501
280	4.1210.0005.1	10112 - 0501



E006-09-00

REF.	ONDERDEELNR. PART NUMBER REFERENCE TEILNUMMER	AANTAL QUANTITY QUANTITE ANZAHL
------	--	--

501	4.1201.0362.0	1
502	9.1113.0117*4	1
503	9.1113.0041*5	1
504	9.1030.0004*2	4
511	4.1201.2003.0 4.1201.2006.0	1 (1)
512	9.1114.0009*0	2
513	4.1201.2480.0	(1)
521	4.1201.0410.0	(6) (7)
522	9.1114.0009*0	(12) (14)
523	9.1113.0267*0	(6) (7)
524	9.1051.0001.6	(6) (7)
528	4.1201.2470.0	(3-6)(4-7)
529	4.1201.2002.0 4.1201.2005.0	(6) (7) (6) (7)

M10x35 DIN 933-8.8
M10x70 DIN 931-8.8
M10 DIN 985-8

3 mm Slijtplaat
6 mm Wear plate
Plaques d'usure
Verschleissplatte

Brede glijsloffes
Wide skids
Patins larges
Breite Gleitkufen

M10x30 8.8
M8x16 DIN 933-10.9
A8,2 DIN 6798 [//////]

A= 282 mm

3 mm Slijtplaten
6 mm Wear plates
Plaques d'usure
Verschleissplatten

REF.	ONDERDEELNR. PART NUMBER REFERENCE TEILNUMMER	AANTAL QUANTITY QUANTITE ANZAHL
------	--	--

531	4.1201.2200.0	(6) (7)
532	9.1114.0009*0	(12) (14)
533	9.1113.0267*0	(6) (7)
534	9.1051.0001.6	(6) (7)
538	4.1201.2461.0	(3-6)(4-7)
539	4.1201.2004.0 4.1201.2007.0	(6) (7) (6) (7)

240 280

Smalle glijsloffes
Narrow skids
Patins étroits
Schmale Gleitkufen

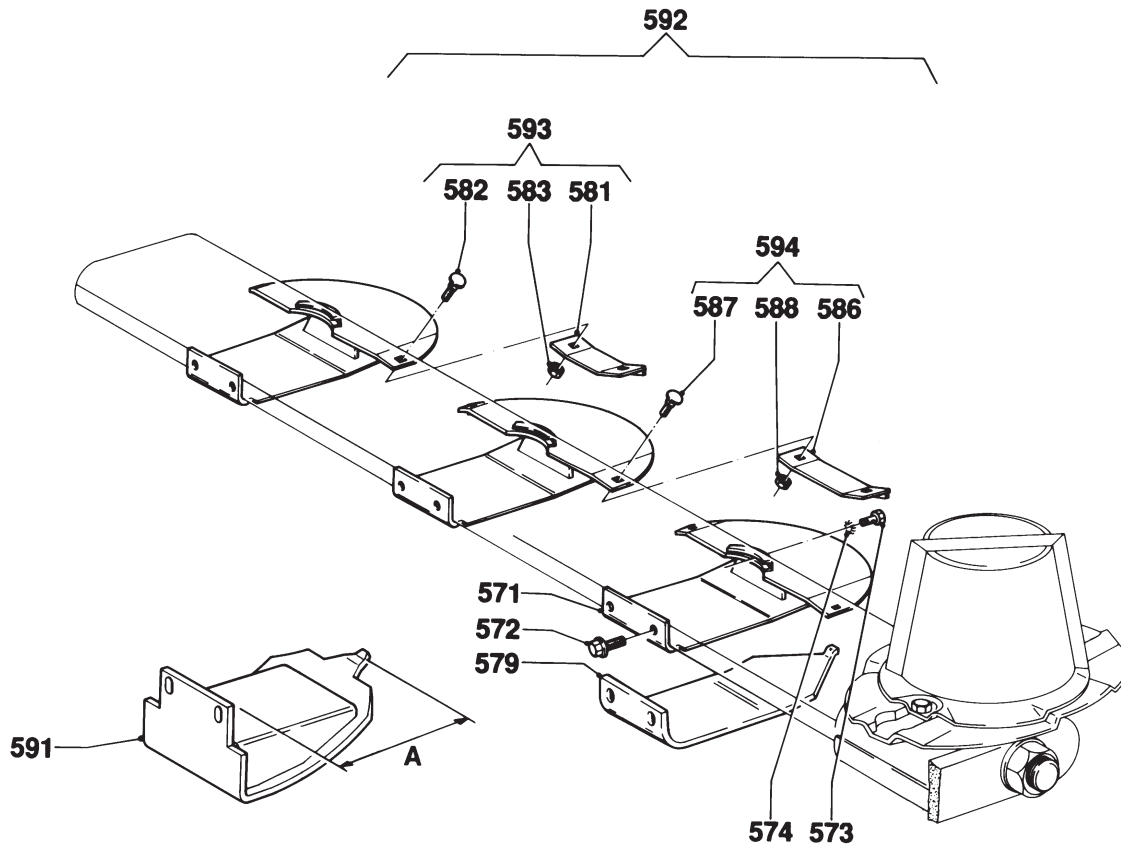
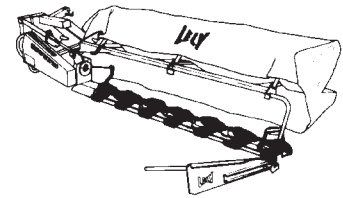
M10x30 8.8
M8x16 DIN 933-10.9
A8,2 DIN 6798 [//////]

A= 252 mm

3 mm Slijtplaten
6 mm Wear plates
Plaques d'usure
Verschleissplatten

LELY

OPTIMO	type nummer type number numéro de type Typnummer	vanaf serienummer as from serial number après numéro de serie ab Seriennummer
240	4.1203.0000.1 4.1203.000_.1	949 - 5001 980 - 0501
280	4.1210.0000.1 4.1210.000_.1	947 - 0501 980 - 0501
320	4.1219.0000.1	972 - 0501



E048-03-20

REF.	ONDERDEELNR. PART NUMBER REFERENCE TEILNUMMER	AANTAL QUANTITY QUANTITE ANZAHL
------	--	--

GLIJSLOFFEN (voorbereid voor maaibalk-steenbescherming) = 571
 SKIDS (prepared for cutter bar stone protection) = 571
 PATINS (préparés pour kit de protection anti-pierres) = 571
 GLEITKUFEN (für Mähbalken-Steinschutzsatz vorbereitet) = 571

571	4.1201.0420.0	6/7/8	
572	9.1114.0009*0	12/14/16	M10x30 8.8
573	9.1113.0267*0	6/7/8	M8x16 DIN 933-10.9
574	9.1051.0001*6	6/7/8	A8,2 DIN 6798 [//////]
579	4.1201.2004.0	(6/7/8)	3 mm Slijtplaten
	4.1201.2007.0	6/7/8	6 mm Wear plates
			Plaques d'usure
			Verschleissplatten
581	4.1201.0430.0	1x	[←125→]
582	9.1058.0027*4	2x	M10x25 DIN 603
583	9.1030.0004*2	2x	M10 DIN 985-8
586	4.1202.2030.0	1	[←160→]
587	9.1058.0027*4	2	M10x25 DIN 603
588	9.1030.0004*2	2	M10 DIN 985-8

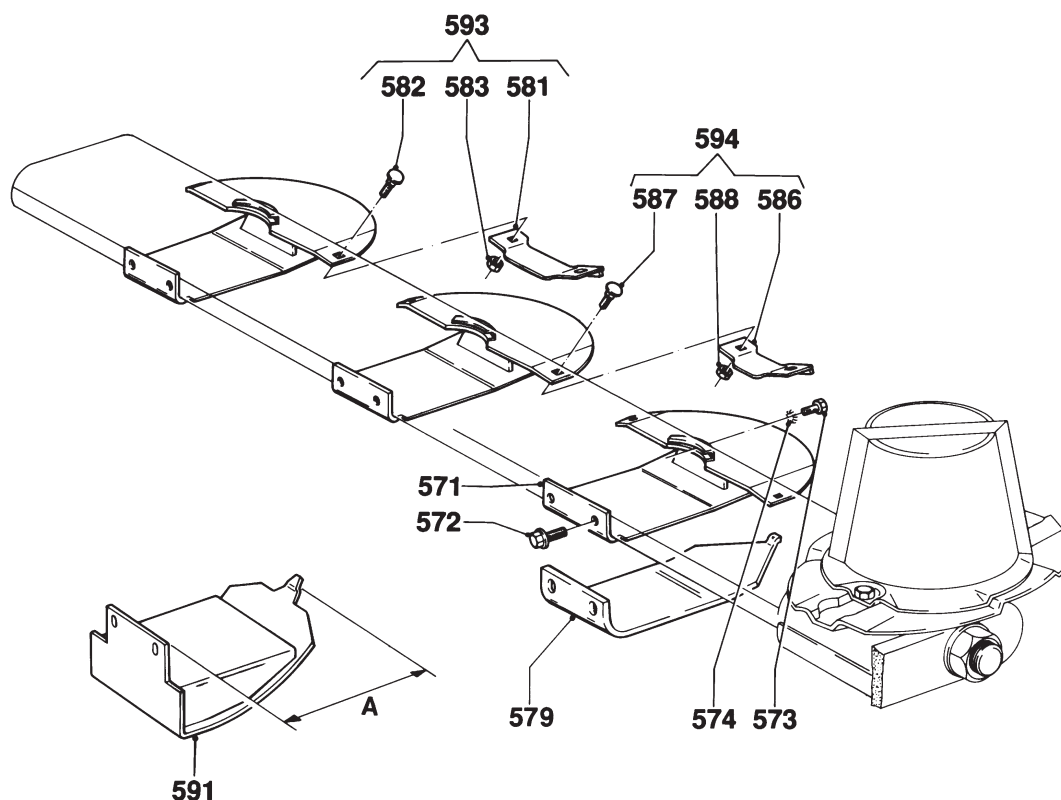
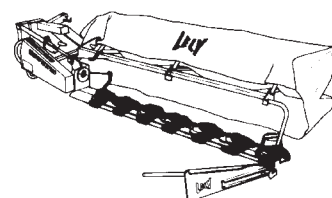
REF.	ONDERDEELNR. PART NUMBER REFERENCE TEILNUMMER	AANTAL QUANTITY QUANTITE ANZAHL
------	--	--

240 280 320

591	4.1201.2461.0	3-6 4-7 5-8	A = 252 mm Onder glijslof 531/571 Underneath skid 531/571 Au-dessous du patin
31/71			Unter Gleitkufen 531/571
592	4.1203.0000.7	1 - -	= REF. 571-583 (6 mm)
	4.1210.0000.7	- 1 -	= REF. 571-588 (6 mm)
	4.1219.0000.7	- - 1	= REF. 571-583 (6 mm)
-	4.1203.0000.6	1 - -	= REF. 593
	4.1210.0000.6	- 1 -	= REF. 593+594
	4.1219.0000.6	- - 1	= REF. 593
593	4.1201.0450.0	5 5 7	= REF. 581-583 [←125→]
594	4.1202.2040.0	- 1 -	= REF. 586-588 [←160→]

LELY

OPTIMO	type number type number numéro de type Typnummer	vanaf serienummer as from serial number après numéro de serie ab Seriennummer
240	4.1203.0005.1	10112 - 0501
280	4.1210.0005.1	10112 - 0501



E048-04-01

REF.	ONDERDEELNR. PART NUMBER REFERENCE TEILNUMMER	AANTAL QUANTITY QUANTITE ANZAHL
------	--	--

GLIJSLOFFEN (voorbereid voor maaibalk-steenbescherming) = 571
 SKIDS (prepared for cutter bar stone protection) = 571
 PATINS (préparés pour kit de protection anti-pierres) = 571
 GLEITKUFEN (für Mähbalken-Steinschutzsatz vorbereitet) = 571

		240	280		
571	4.1201.0420.0	6	7		
572	9.1114.0009*0	12	14	M10x30 8.8	
573	9.1113.0267*0	6	7	M8x16 DIN 933-10.9	
574	9.1051.0001.6	6	7	A8,2 DIN 6798	[//////]
579	4.1201.2004.0	6	7	3 mm	Slijtplaten
	4.1201.2007.0	(6)	(7)	6 mm	Wear plates Plaques d'usure Verschleissplatten

581	4.1229.0250.0	-	(1)	[←-160→]
582	9.1058.0027*4	-	(2)	M10x25 DIN 603
583	9.1030.0004*2	-	(2)	M10 DIN 985-8

586	4.1225.0550.0	(1x..)	[←-125→]
587	9.1058.0027*4	(2x ..)	M10x25 DIN 603
588	9.1030.0004*2	(2x ..)	M10 DIN 985-8

REF.	ONDERDEELNR. PART NUMBER REFERENCE TEILNUMMER	AANTAL QUANTITY QUANTITE ANZAHL
------	--	--

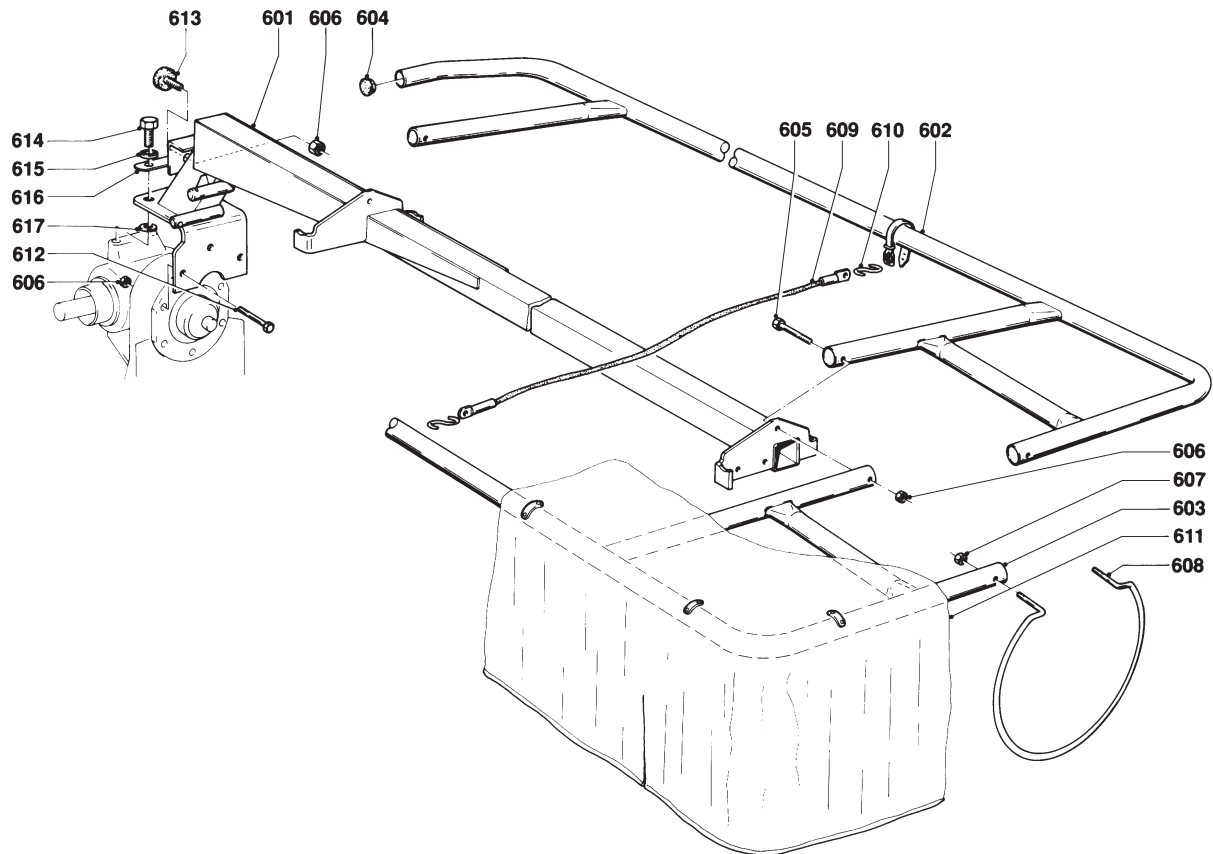
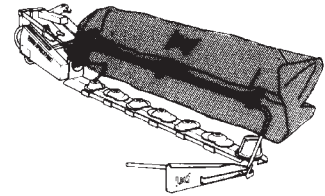
240 280
 591 4.1201.2461.0 (3-6) (4-7) A= 252 mm
 Onder glijslof 531/571
 Underneath skid 531/571
 Au-dessous du patin 531/71
 Unter Gleitkufen 531/571

593 4.1229.0240.0 - (1) = REF. 581-583 [←-160→]

594 4.1225.0540.0 (5) (5) = REF. 586-588 [←-125→]

LELY

OPTIMO	type number type number numéro de type Typnummer	vanaf serienummer as from serial number après numéro de série ab Seriennummer
240	4.1203.0000.1	956 - 5554
280	4.1210.0000.1	954 - 0726
320	4.1219.0000.1	972 - 0501



E007-05-00

REF.	ONDERDEELNR. PART NUMBER REFERENCE TEILNUMMER	AANTAL QUANTITY QUANTITE ANZAHL
------	--	--

240 280 320

601	4.1203.2042.0	1 - -
	4.1210.0371.0	- 1 -
	4.1219.0050.0	- - 1
602	4.1203.0542.0	1 - -
	4.1210.0541.0	- 1 -
	4.1219.0070.0	- - 1
603	4.1203.0611.0	1 - -
	4.1210.0551.0	- 1 -
	4.1219.0080.0	- - 1
604	9.1108.0059.1	2 2 2
605	9.1113.0100*1	2 3 3
		Ø34
		M10x90 DIN 931-8.8
606	9.1030.0004*2	5 6 6
607	9.1030.0012*3	2 2 2
		M8 DIN 985-8
608	4.1210.1496.0	1 1 1
609	4.1210.1498.0	2 3 3
610	9.1147.0005*5	4 6 6
		No. 50
611	4.1203.1496.0	1 - -
	4.1210.1499.0	- 1 -
	4.1219.0199.0	- - 1
612	9.1113.0156*1	2 2 2
		M10x85 DIN 931-8.8
613	9.1105.0001.1	1 1 1
		M10x32

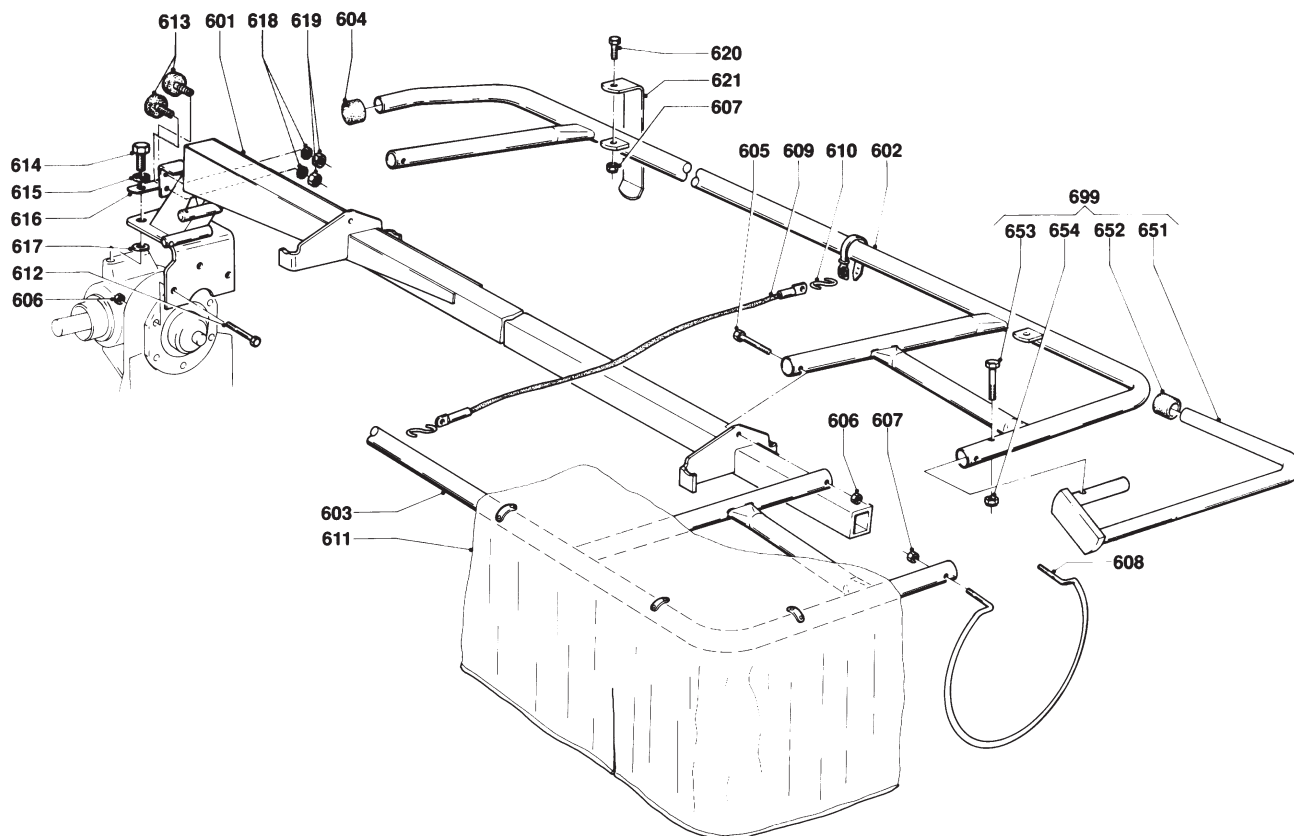
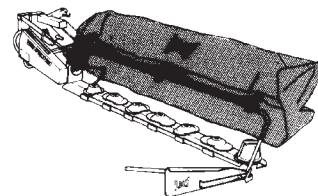
REF.	ONDERDEELNR. PART NUMBER REFERENCE TEILNUMMER	AANTAL QUANTITY QUANTITE ANZAHL
------	--	--

240 280 320

614	9.1113.0178*2	2 2 2	M14x35 DIN 933-8.8
615	9.1051.0005*3	2 2 2	A14,5 DIN 6798 [//////]
616	4.1201.1479.0	1 1 1	
617	9.1048.0053*5	2 2 2	A15 DIN 125 [—]

LELY

OPTIMO	type number type number numéro de type Typnummer	vanaf serienummer as from serial number après numéro de série ab Seriennummer
240	4.1203.0001.1	980 - 0501
240	4.1203.0002.1	997 - 0501
280	4.1210.0001.1	981 - 0501
280	4.1210.0002.1	997 - 0501



E007-08-00

REF.	ONDERDEELNR. PART NUMBER REFERENCE TEILNUMMER	AANTAL QUANTITY QUANTITE ANZAHL
------	--	--

240 280

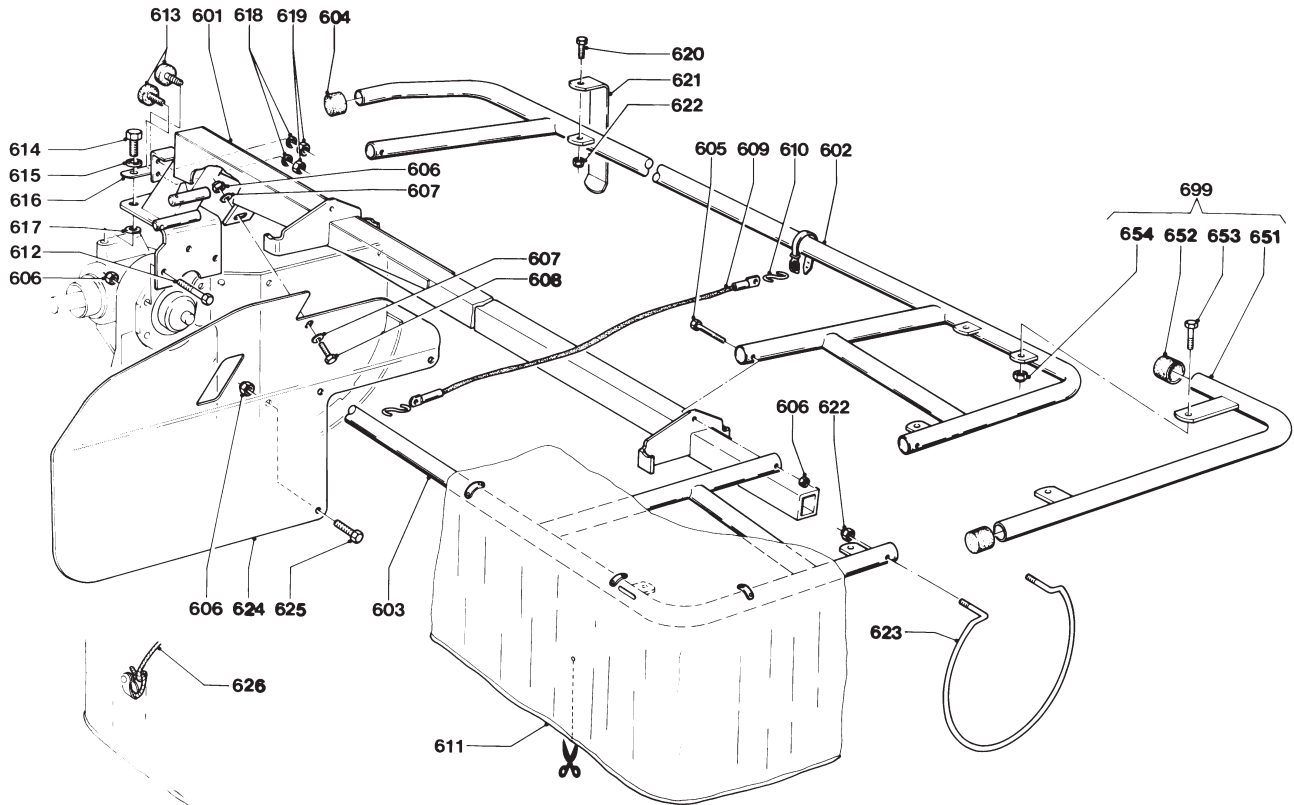
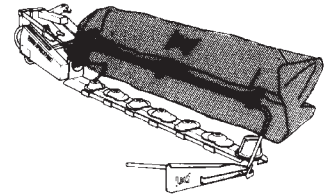
601	4.1203.2043.0 4.1210.0581.0	1 - - 1
602	4.1203.0542.0 4.1210.0541.0	1 - - 1
603	4.1203.0611.0 4.1210.0551.0	1 - - 1
604	9.1108.0059.1	2 2 Ø34
605	9.1113.0100*1	2 3 M10x90 DIN 931-8.8
606	9.1030.0004*2	4 5 M10 DIN 985-8
607	9.1030.0012*3	5 6 M8 DIN 985-8
608	4.1210.1496.0	1 1
609	4.1210.1498.0	2 3
610	9.1147.0005*5	4 6 No. 50
611	4.1203.1496.0 4.1210.1499.0	1 - - 1
612	9.1113.0156*1	2 M10x85 DIN 931-10.9
613	9.1105.0011.4	2 M10x28
614	9.1113.0178*2	2 M14x35 DIN 933-10.9
615	9.1051.0005*3	2 A14,5 DIN 6798 [////]
616	4.1201.1479.0	1

REF.	ONDERDEELNR. PART NUMBER REFERENCE TEILNUMMER	AANTAL QUANTITY QUANTITE ANZAHL
------	--	--

617	9.1048.0053*5	2 A15 DIN 125 [——]
618	9.1051.0002*0	2 A10,5 DIN 6798 [////]
619	9.1029.0005*4	2 M10 DIN 934-8
620	9.1113.0014*6	3/4 M8x20 DIN 933-8.8
621	4.1211.0287.0	3/4
651	4.1201.2430.0	1 Ø34
652	9.1108.0059.1	1 M10x50 DIN 931-8.8
653	9.1113.0035*6	1 M10 DIN 985-8
654	9.1030.0004*2	1
699	4.1201.2440.0	1 = REF. 651-654 Zeildoekbeschermer Cover protection bracket Protection bâche Planenschutzbügel

LELY

OPTIMO	type number type number numéro de type Typnummer	vanaf serienummer as from serial number après numéro de serie ab Seriennummer
240	4.1203.0004.1	1010 - 0501
280	4.1210.0004.1	1011 - 0501



E007-09-20

REF.	ONDERDEELNR. PART NUMBER REFERENCE TEILNUMMER	AANTAL QUANTITY QUANTITE ANZAHL
------	--	--

240 / 280

601	4.1203.2044.0 4.1210.0582.0	1 / - - / 1
602	4.1203.0543.0 4.1210.0542.0	1 / - - / 1
603	4.1203.0612.0 4.1210.0552.0	1 / - - / 1
604	9.1108.0059.1	2
605	9.1113.0100*1	2 / 3
606	9.1030.0004*2	8 / 9
607	9.1048.0007*1	2
608	9.1113.0029*0	1
609	4.1210.1498.0	2 / 3
610	9.1147.0005*5	4 / 6
611	4.1203.1493.0 4.1210.1490.0	1 / - - / 1
612	9.1113.0156*1	2
613	9.1105.0011.4	2
614	9.1113.0178*2	2
615	9.1051.0005.3	2
616	4.1201.1479.0	1

REF.	ONDERDEELNR. PART NUMBER REFERENCE TEILNUMMER	AANTAL QUANTITY QUANTITE ANZAHL
------	--	--

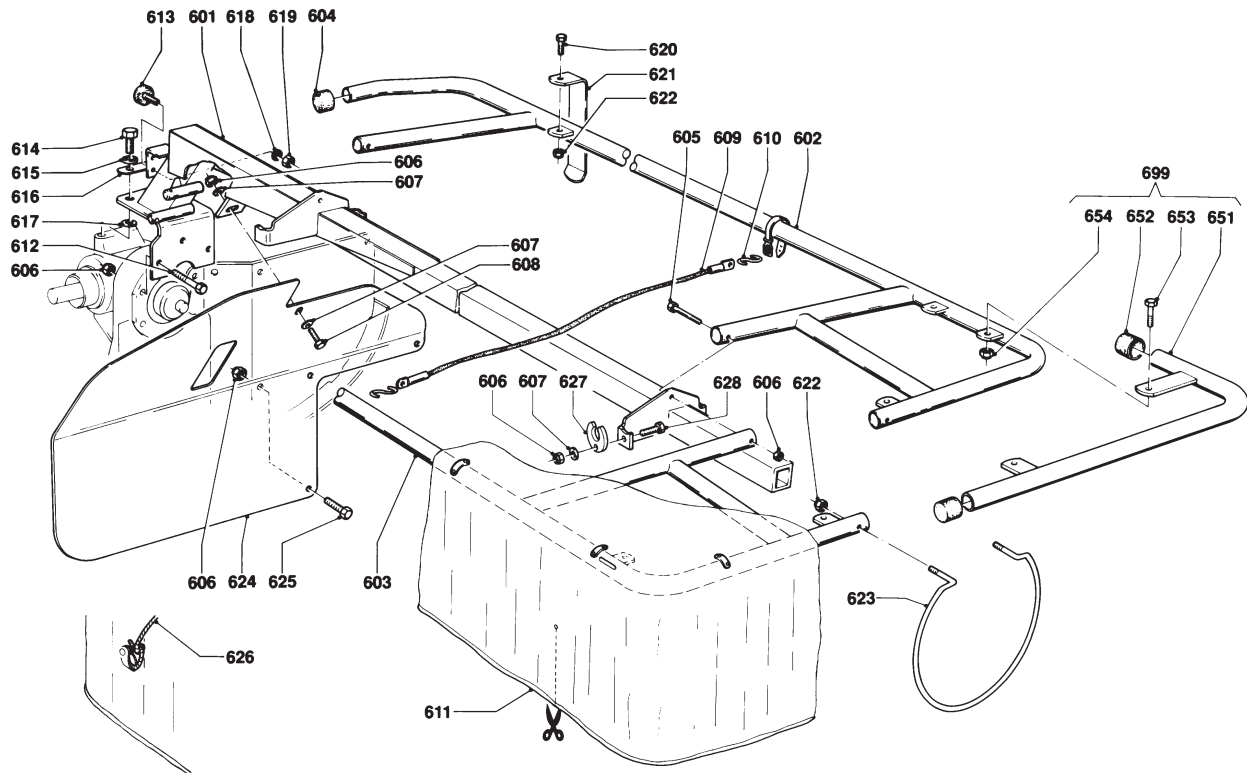
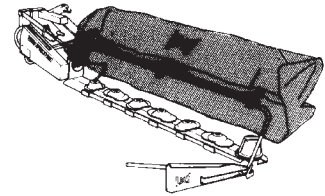
240 / 280

1		
617	9.1048.0053*5	2
618	9.1051.0002.0	2
619	9.1029.0005*4	2
620	9.1113.0014*6	3 / 4
621	4.1211.0287.0	3 / 4
622	9.1030.0012*3	5 / 6
623	4.1210.1496.0	1
624	4.1201.1461.0	1
625	9.1113.0027*5	3
626	4.1201.1458.0	1
651	4.1201.0640.0	2
652	9.1108.0059.1	4
653	9.1113.0128*1	4
654	9.1030.0012*3	4
699	4.1201.0630.0	1

= REF. 651-654 (= 2x)

LELY

OPTIMO	type number type number numéro de type Typnummer	vanaf serienummer as from serial number après numéro de série ab Seriennummer
240	4.1203.0005.1	10112 - 0501
280	4.1210.0005.1	10112 - 0501



E007-10-00

REF.	ONDERDEELNR. PART NUMBER REFERENCE TEILNUMMER	AANTAL QUANTITY QUANTITE ANZAHL
------	--	--

240 / 280

601	4.1203.2044.0 4.1210.0582.0	1 / - - / 1
602	4.1203.0543.0 4.1210.0542.0	1 / - - / 1
603	4.1203.0612.0 4.1210.0552.0	1 / - - / 1
604	9.1108.0059.1	2
605	9.1113.0100*1	2 / 3
606	9.1030.0004*2	10 / 11
607	9.1048.0007*1	4
608	9.1113.0029*0	1
609	4.1210.1498.0	2 / 3
610	9.1147.0005*5	4 / 6
611	4.1203.1493.0 4.1210.1490.0	1 / - - / 1
612	9.1113.0156*1	2
613	9.1105.0011.4	2
614	9.1113.0178*2	2
615	9.1051.0005.3	2
616	4.1201.1479.0	1

REF.	ONDERDEELNR. PART NUMBER REFERENCE TEILNUMMER	AANTAL QUANTITY QUANTITE ANZAHL
------	--	--

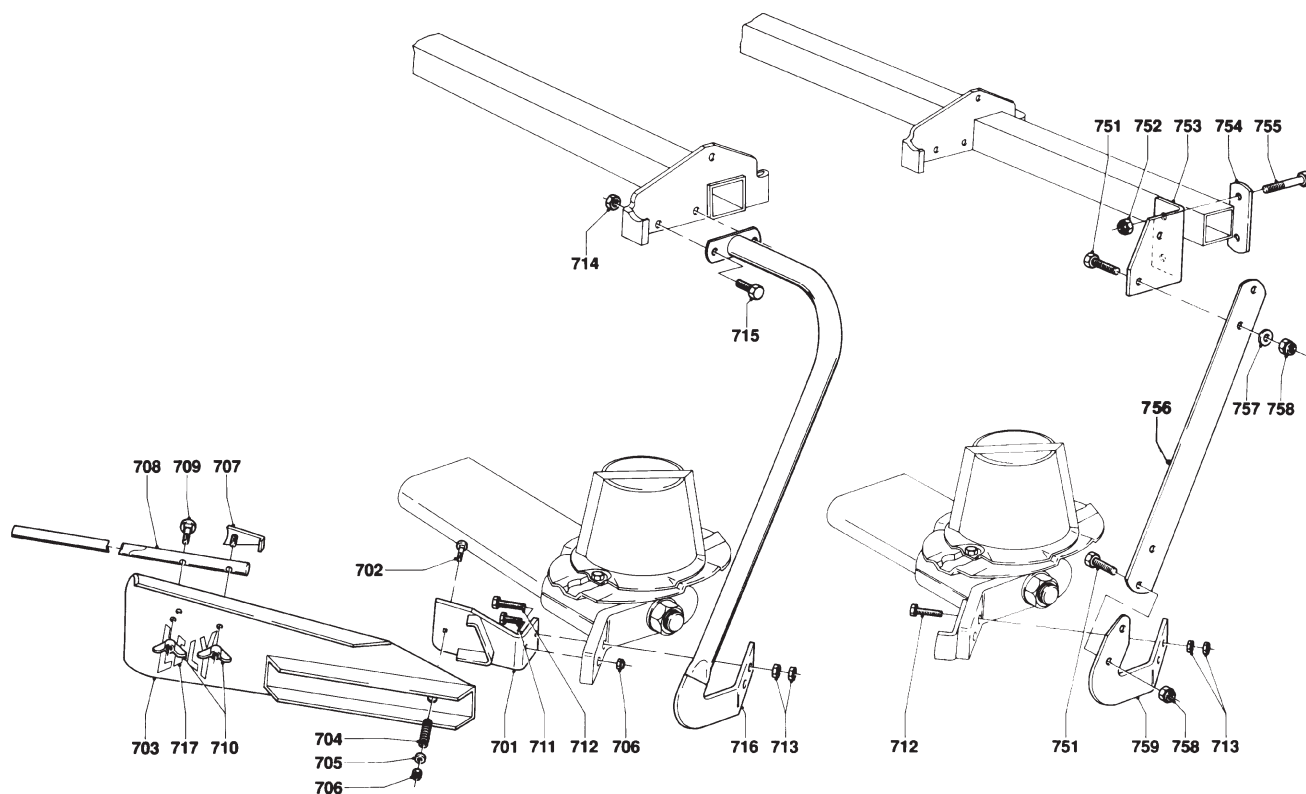
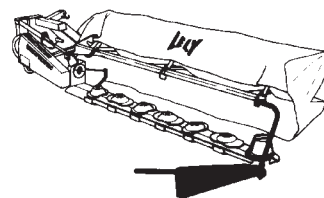
240 / 280

617	9.1048.0053*5	2
618	9.1051.0002.0	2
619	9.1029.0005*4	2
620	9.1113.0014*6	3 / 4
621	4.1211.0287.0	3 / 4
622	9.1030.0012*3	5 / 6
623	4.1210.1496.0	1
624	4.1201.1461.0	1
625	9.1113.0027*5	3
626	4.1201.1458.0	1
627	4.1225.1486.0	2
628	9.1113.0117*4	2
651	4.1201.0640.0	2
652	9.1108.0059.1	4
653	9.1113.0128*1	4
654	9.1030.0012*3	4
699	4.1201.0630.0	1

= REF. 651-654 (= 2x)

LELY

OPTIMO	type number type number numéro de type Typnummer	vanaf serienummer as from serial number après numéro de serie ab Seriennummer
240	4.1203.0000.1	956 - 5554
280	4.1210.0000.1	954 - 0726
320	4.1219.0000.1	972 - 0501



E047-01-01

REF.	ONDERDEELNR. PART NUMBER REFERENCE TEILNUMMER	AANTAL QUANTITY QUANTITE ANZAHL
------	--	--

OPTIMO 240/280/320

701	4.1201.0331.0	1
702	9.1058.0030*0	1
703	4.1201.0530.0	1
704	9.1090.0012*6	1
705	9.1048.0012*6	1
706	9.1030.0013*4	3
707	4.1201.0600.0	1
708	4.1201.1476.0	1
709	9.1058.0035*5	1
710	9.1032.0002*5	2
711	9.1113.0118*5	2~
712	9.1113.0057*0	2
713	9.1029.0008*0	4
714	9.1030.0004*2	2
715	9.1113.0120*0	2
716	4.1210.0530.0	1
717	9.1170.0001.6	1

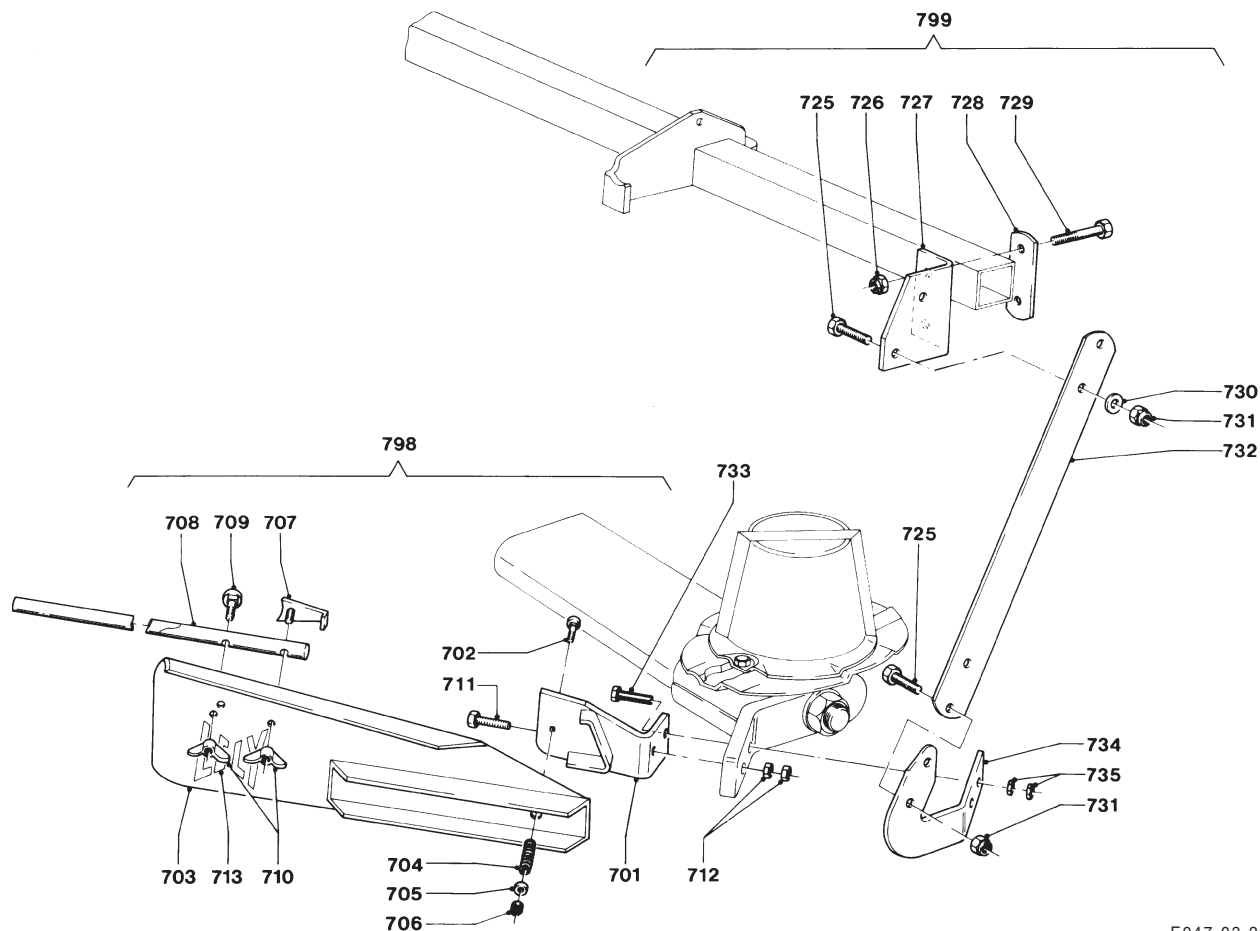
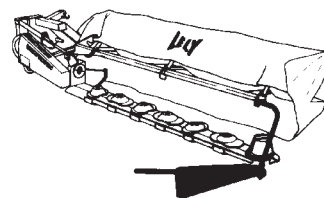
REF.	ONDERDEELNR. PART NUMBER REFERENCE TEILNUMMER	AANTAL QUANTITY QUANTITE ANZAHL
------	--	--

OPTIMO 320

751	9.1113.0117*4	4
752	9.1030.0013*4	2
753	4.1219.0196.0	1
754	4.1207.0190.0	1
755	9.1113.0063*6	2
756	4.1219.0197.0	1
757	9.1048.0062*0	2
758	9.1030.0004*2	4
759	4.1219.0198.0	1

LELY

OPTIMO	type number type number numéro de type Typnummer	vanaf serienummer as from serial number après numéro de serie ab Seriennummer
240	4.1203.0001.1	980 - 0501
	4.1203.0002.1	997 - 0501
	4.1203.0004.1	1010 - 0501
	4.1203.0005.1	10112 - 0501
280	4.1210.0001.1	981 - 0501
	4.1210.0002.1	997 - 0501
	4.1210.0004.1	1011 - 0501
	4.1210.0005.1	10112 - 0501



E047-03-20

REF.	ONDERDEELNR. PART NUMBER REFERENCE TEILNUMMER	AANTAL QUANTITY QUANTITE ANZAHL
------	--	--

701	4.1201.0331.0	1	
702	9.1058.0030*0	1	M12x80 DIN 603
703	4.1201.0530.0	1	
704	9.1090.0012*6	1	
705	9.1048.0012*6	1	A13 DIN 125 []
706	9.1030.0013*4	1	M12 DIN 985-8
707	4.1201.0600.0	1	
708	4.1201.1476.0	1	
709	9.1058.0035*5	1	M8x45 DIN 603
710	9.1032.0002*5	2	M8 DIN 315-G-5
711	9.1113.0221*3	2	M12x60 DIN 933-8.8
	9.1113.0118*5	(2)	M12x40 DIN 933-8.8
712	9.1029.0008*0	4	M12 DIN 934-8
713	9.1170.0001.6	1	"LELY"

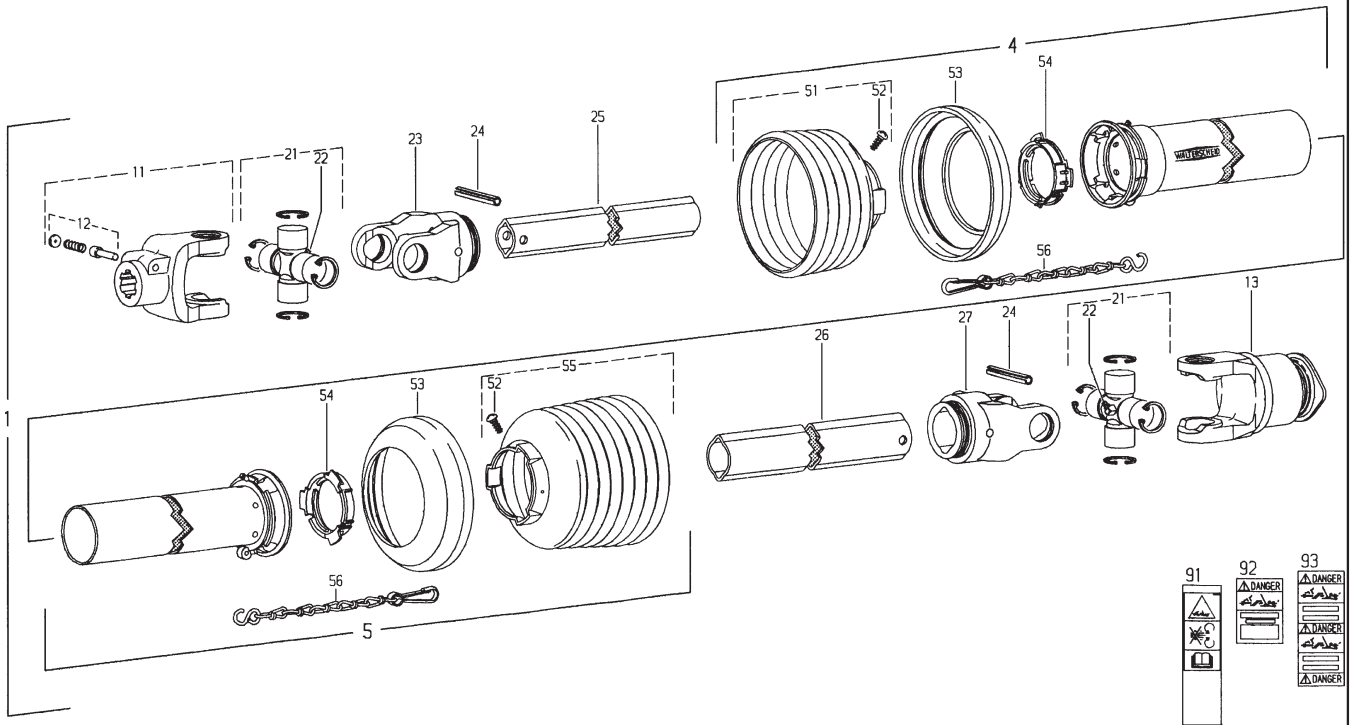
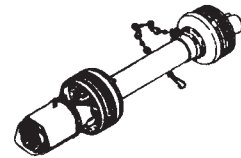
798 4.1201.0110.0 1 = REF. 701-713

REF.	ONDERDEELNR. PART NUMBER REFERENCE TEILNUMMER	AANTAL QUANTITY QUANTITE ANZAHL
------	--	--

725	9.1113.0117*4	4	M10x35 DIN 933-8.8
726	9.1030.0013*4	2	M12 DIN 985-8
727	4.1219.0196.0	1	
728	4.1207.0190.0	1	
729	9.1113.0063*6	2	M12x85 DIN 931-8.8
730	9.1048.0062*0	2	A10 DIN 7349 []
731	9.1030.0004*2	4	M10 DIN 985-8
732	4.1219.0197.0	1	
733	9.1113.0221*3	2	M12x60 DIN 933-8.8
	9.1113.0055*5	(2)	M12x50 DIN 931-8.8
734	4.1219.0198.0	1	
735	9.1029.0008*0	4	M12 DIN 934-8
799	4.1203.0220.0	1	= REF. 725-735

LELY

OPTIMO	type number type number numéro de type Typnummer	vanaf serienummer as from serial number après numéro de serie ab Seriennummer
240	4.1203.0000.1 4.1203.0001/2.1 4.1203.0004/5.1	960 - 0501 980 - 0501 1010 - 0501
280	4.1210.0000.1 4.1210.0001/2.1 4.1210.0004/5.1	960 - 0501 981 - 0501 1011 - 0501
320	4.1219.0000.1	972 - 0501



Ew001-06-00

REF.	ONDERDEELNR. PART NUMBER REFERENCE TEILNUMMER	AANTAL QUANTITY QUANTITE ANZAHL	
------	--	--	--

1 9.1154.0083.6 1 W2400-SD25-860-F5/1R
= REF. 11-93

4 85.205 1 SDH25; L= 645 mm
5 85.204 1 SDH25; L= 640 mm

11 35.10.00 1 1.3/8" (6)
12 33.91.07 1 AGRASET 101
13 56.144.40 1 F5/1R-2400-1.3/8" (6)

21 35.00.00 2
22 63.27.00 2 BM 8x1
23 35.13.00 1 RG2400-1b
24 61.05.08 2 Ø10x80 DIN 1481
25 75.25.95 1 1bGA; L= 740 mm
26 75.36.15 1 2aG; L= 715 mm
27 35.14.00 1 RG2400-2a

51 85.25.06 1 n= 6
52 60.15.00 2 4x10
53 82.85.00 2
54 82.83.04 2
55 85.25.08 1 n= 8
56 82.36.03 2

91 16.61.175 1 " _ _ "

92 38.33.33 1 "DANGER; ROTATING DRIVELINE"

93 38.33.34 1 "DANGER; SHIELD MISSING
DO NOT OPERATE"

REF.	ONDERDEELNR. PART NUMBER REFERENCE TEILNUMMER	AANTAL QUANTITY QUANTITE ANZAHL	
------	--	--	--

11 35.10.00 1 1.3/8" (6)

12 33.91.07 1 AGRASET 101

13 56.144.40 1 F5/1R-2400-1.3/8" (6)

21 35.00.00 2
22 63.27.00 2 BM 8x1
23 35.13.00 1 RG2400-1b
24 61.05.08 2 Ø10x80 DIN 1481
25 75.25.95 1 1bGA; L= 740 mm
26 75.36.15 1 2aG; L= 715 mm
27 35.14.00 1 RG2400-2a

51 85.25.06 1 n= 6
52 60.15.00 2 4x10
53 82.85.00 2
54 82.83.04 2
55 85.25.08 1 n= 8
56 82.36.03 2

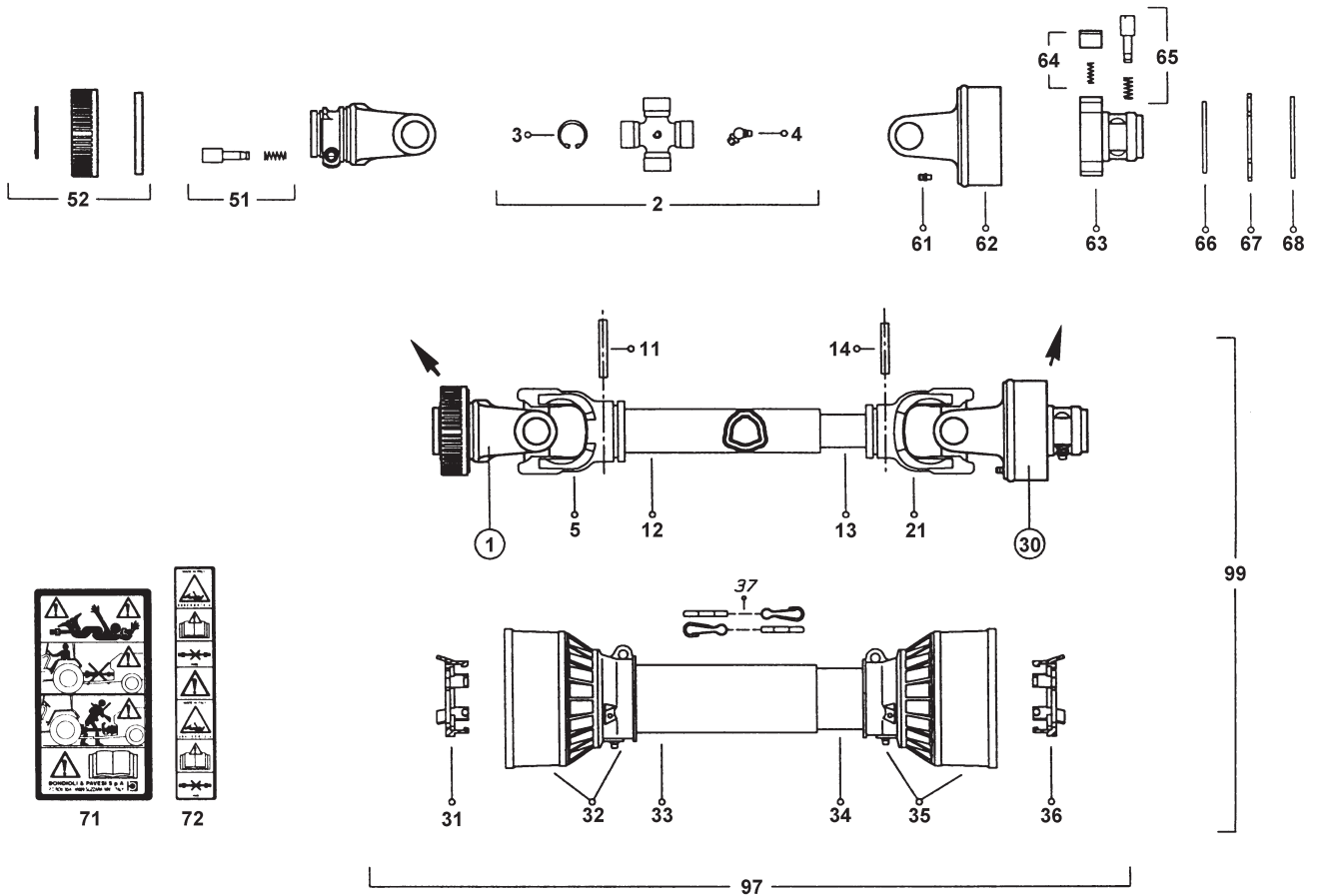
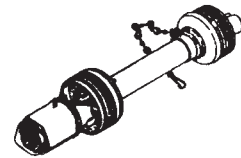
91 16.61.175 1 " _ _ "

92 38.33.33 1 "DANGER; ROTATING DRIVELINE"

93 38.33.34 1 "DANGER; SHIELD MISSING
DO NOT OPERATE"

LELY

OPTIMO	type number type number numéro de type Typnummer	vanaf serienummer as from serial number après numéro de serie ab Seriennummer
240	4.1203.0005.1	10302 - 0676



Eb001-01-00

REF.	ONDERDEELNR. PART NUMBER REFERENCE TEILNUMMER	AANTAL QUANTITY QUANTITE ANZAHL	
1	9572040351	1	= REF. 1+51+52 1.3/8" (6)
2	941204	2	= REF. 2+3+4
3	9338017000	8	
4	9348004000	2	
5	9204046851	1	
11	9341038000	1	Ø8x61
12	9225310720	1	L= 720 mm
	9125083000	-	L= 3000 mm
13	9245100720	1	L= 720 mm
	9245101000	-	L= 1000 mm
14	9341048000	1	Ø8x54
21	9204046852	1	
30	9601104001	1	= REF. 61-68 RA1-1.3/8" (6)
31	9255040005	1	
32	9517040030	1	Type/typ F
33	9236680667	1	L= 667 mm
	9236681026	-	
34	9236670667	1	L= 667 mm
	9236671026	-	
35	9517040020	1	Type/typ F
36	9255040006	1	
37	9252000001	2	

REF.	ONDERDEELNR. PART NUMBER REFERENCE TEILNUMMER	AANTAL QUANTITY QUANTITE ANZAHL	
51	9403000001	1	
52	9240002450	1	
61	9348001000	1	
62	9418041120	1	RA1
63	9513010302	1	1.3/8" (6)
64	9421011101	3	
65	9403000001	1	
66	9246000005	1	
67	9246000010	1	
68	9338005000	1	
71	9399CEE051	1	
72	9399CEE072	1	
97	95F04086	1	= REF. 31-37 Type/typ F
99	9.1154.0187.5	1	= REF. 1-97 Type/typ 4