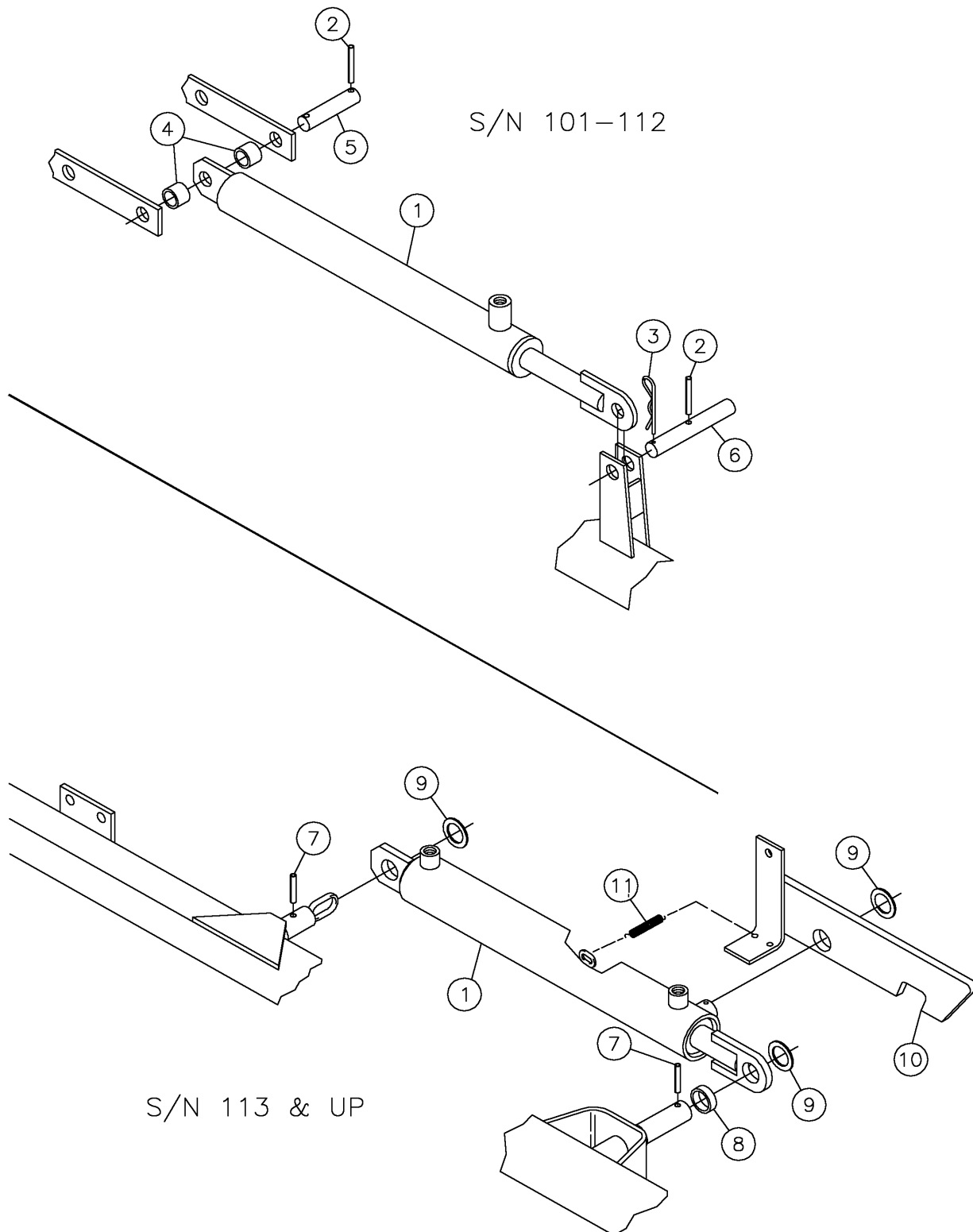


HYDRAULIC CYLINDER ASSEMBLY - TD200

Figure 2-1



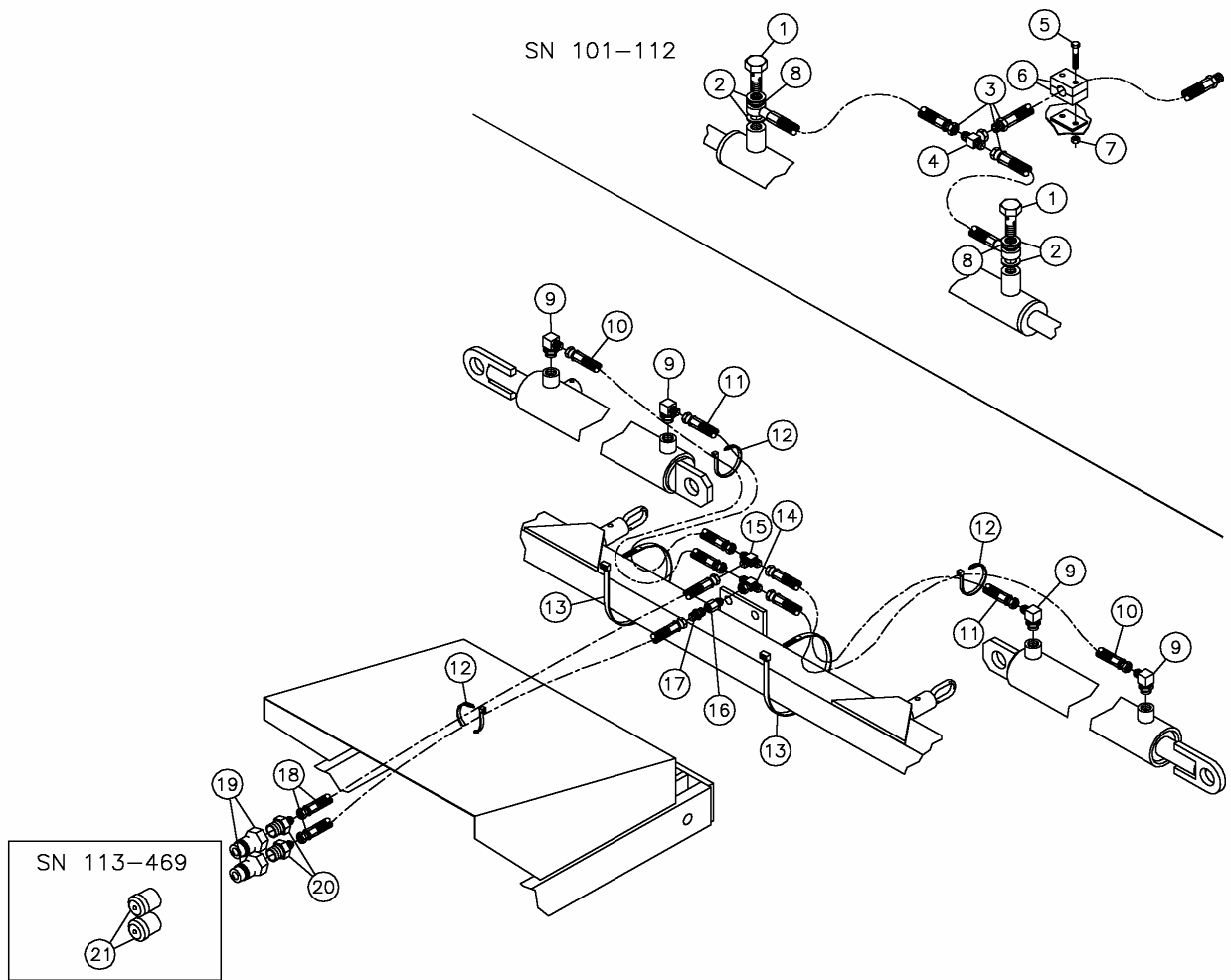
## HYDRAULIC CYLINDER ASSEMBLY - TD200

Figure 2-1

<u>REF. NO.</u>	<u>PART NO.</u>	<u>DESCRIPTION</u>	<u>QTY.</u>	<u>SERIAL NO.</u>	<u>REMARKS</u>
2-1 1	127071-001 131038-001	CYLINDER-HYDRAULIC CYLINDER ASSY-2X11.38 RIGHT (BREAKDOWN FIG. 2-3)	2 1	101-112 113 & UP	not shown
	131036-001	CYLINDER ASSY-2X11.38 LEFT (BREAKDOWN FIG. 2-3)	1	113 & UP	
2-1 2	127072-001	PIN-SPLIT	6	101-112	
2-1 3	127073-001	HAIR PIN COTTER	2	101-112	
2-1 4	127134-001	SPACER	4	101-112	
2-1 5	127135-001	PIN-CYLINDER	2	101-112	
2-1 6	127136-001	PIN-CYLINDER	2	101-112	
2-1 7	510501-090	PIN-EXPANSION, 6MMX40MM-YZ	4		
2-1 8	1086-021	TUBE-1 1/4"ODX11 GA.-3/8"	2		
2-1 9	483-005	WASHER- 1 1/2X1X14 GA. M.B.	6		
2-1 10	131057-001 131056-001	LATCH- CYL (LEFT) LATCH- CYL ( RIGHT )	1 1		not shown
2-1 11	1789-049	SPRING- EXT. 7/16 OD x 3/8 ID x 1 1/2	2		

HYDRAULIC PLUMBING ASSEMBLY - TD200

Figure 2-2



## HYDRAULIC PLUMBING ASSEMBLY - TD200

Figure 2-2

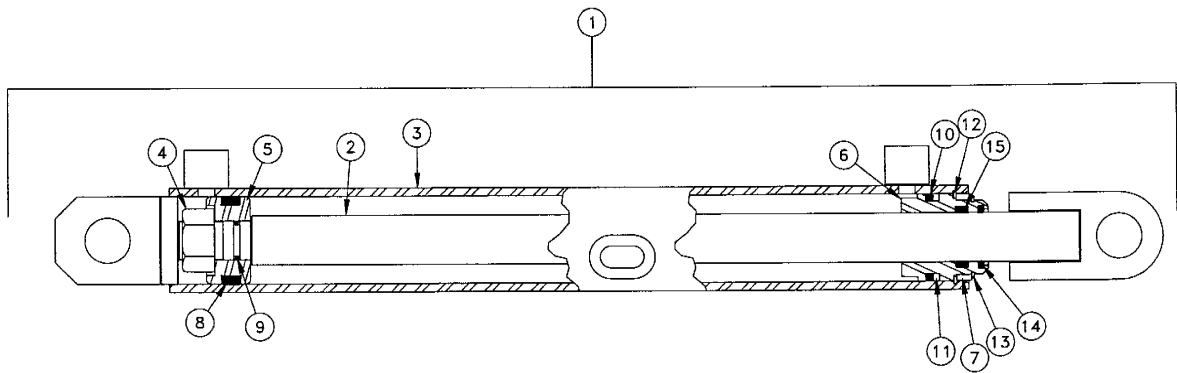
<u>REF. NO.</u>	<u>PART NO.</u>	<u>DESCRIPTION</u>	<u>QTY.</u>	<u>SERIAL NO.</u>	<u>REMARKS</u>
2-2	1	127064-001	SCREW	2	101-112
2-2	2	127065-001	WASHER	4	101-112
2-2	3	127066-001	FITTING	1	101-112
2-2	4	127067-001	FITTING-TEE	1	101-112
2-2	5	127068-001	SCREW	2	101-112
2-2	6	127069-001	PLATE	1	101-112
2-2	7	127070-001	NUT-6MA	2	101-112
		127164-001	PLATE KIT COMP. (INC. REF. 5-7)	1	101-112
2-2	8	127163-001	ORIFICE-DISC	1	
2-2	9	57950-001	FITTING-6MX4JIC 90 DEG.	4	
2-2	10	53843-343	HOSE-1/4X30 4FS JIC 3000 PSI	2	
2-2	11	53843-571	HOSE-1/4X15 4FS JIC 3000 PSI	2	
2-2	12	59634-001	NYLON TIE 8"	3	
2-2	13	58151-001	NYLON TIE 15"	2	
2-2	14	66996-001	TEE-4FS JIC BCHX4M JICX4M JIC	1	
2-2	15	54387-001	FITTING-4M JIC UNION TEE	1	
2-2	16	97369-001	FITTING-4M JICX1/8F STR. CONN.	1	
2-2	17	131479-001	FITTING-4M JICX1/8M NPT .031 ORF	1	
2-2	18	53843-363	HOSE-1/4X110 4FS JIC SAE-100R1	2	
2-2	19	4253-001	COUPLING-1/2"M QUICK	2	113-469
		500085-001	HYD. COUPLER-POPPET STYLE	2	470 & UP
2-2	20	81721-001	FITTING-1/2MX4M JIC STR.	2	113-469
		53657-001	FITTING-8M O-RINGX4M JIC STR.	2	470 & UP
2-2	21	129717-001	CAP-BLACK FLEX .843ID X 1.5 LG	2	113-469

**THIS PAGE INTENTIONALLY LEFT BLANK**

HYDRAULIC CYLINDER COMPONENTS - TD200

Figure 2-3

SN 113-



REF. NO.	PART NO.	DESCRIPTION	QTY.	SERIAL NO.	REMARKS
2-3	1	131036-001 CYLINDER ASSY-2 X 11.38 LFT	1		
		131038-001 CYLINDER ASSY-2 X 11.38 RIGHT	1		
		107620-001 SEAL KIT (INC. REF. 8-15)	1		
2-3	2	131045-001 ROD-PISTON	1		
2-3	3	131037-001 BODY-CYLINDER LEFT	1		
		131039-001 BODY-CYLINDER RIGHT	1		
2-3	4	330-011 NUT-7/8-14 NF SLTL GR.C	1		
2-3	5	53167-001 MANIFOLD EXHUAST	1		
2-3	6	106991-001 GLAND - CYLINDER	1		
2-3	7	119212-001 BACKUP RING	1		
2-3	8	52919-001 UNI-RING	1		
2-3	9	20383-001 O-RING	1		
2-3	10	51181-001 O-RING	1		
2-3	11	52920-001 BACK-UP WASHER	1		
2-3	12	106997-001 SNAP RING-2.00 SPIRAL INTERNAL	1		
2-3	13	106998-001 SNAP RING-1 11/16 EXTERNAL	1		
2-3	14	19512-001 WIPER	1		
2-3	15	19511-001 ROD SEAL	1		

**THIS PAGE INTENTIONALLY LEFT BLANK**

## METRIC AND INCH HARDWARE

Allowances have been made in punched and drilled holes to allow interchangeability of metric and inch dimension hardware. This does not apply to tapped holes. Also, metric dimension nuts cannot be used on inch cap screws, studs, and bolts. Likewise, inch dimension nuts cannot be used on metric cap screws, studs, or bolts.

Following is a listing of common sizes for substitution:

<b>Screw Diameter</b>		<b>Screw Length</b>	
<b><u>Inches</u></b>	<b><u>Metric</u></b>	<b><u>Inches</u></b>	<b><u>Metric</u></b>
3/16"	5 mm	5/8"	15 mm
1/4"	6 mm	3/4"	20 mm
5/16"	8 mm	1"	25 mm
*3/8"	*10 mm	1-1/4"	30 mm
1/2"	12 mm	1-3/8"	35 mm
9/16"	14 mm	1-1/2"	40 mm
5/8"	16 mm	1-3/4"	45 mm
		*2"	*50 mm
		2-1/4"	60 mm
		2-3/4"	70 mm
		3"	80 mm
		3-1/2"	90 mm
		4"	100 mm

\* EXAMPLE: For most applications, a 3/8" x 2" cap screw and nut can be replaced by a 10 mm x 50 mm cap screw and nut.

For additional size information and possible substitutions, please refer to the Conversion Chart.



# CONVERSION CHART

Inch Fractions and Decimals to Millimeter Equivalents

INCHES		MM	INCHES		MM	INCHES		MM	INCHES		MM
Fraction	Decimal		Fraction	Decimal		Fraction	Decimal		Fraction	Decimal	
--	.0004	.01	--	.3	7.620	--	.7874	20	--	1.969	50
--	.001	.025	5/16	.3125	7.938	51/64	.7969	20.241	2	2.000	50.8
--	.0039	.10	--	.3150	8	13/16	.8125	20.638	2-1/8	2.125	54
--	.005	.127	21/64	.3281	8.334	--	.8268	21	--	2.165	55
--	.0079	.2	--	.3346	8.5	53/64	.8281	21.034	2-1/4	2.250	57.2
--	.0098	.25	11/32	.3438	8.731	27/32	.8438	21.431	--	2.362	60
--	.01	.254	--	.3543	9	55/64	.8594	21.828	2-3/8	2.375	60.3
--	.0118	.3	23/64	.3594	9.128	--	.8662	22	2-1/2	2.500	63.5
1/64	.0156	.397	--	.3740	9.5	7/8	.8750	22.225	--	2.559	65
--	.0157	.4	3/8	.375	9.525	57/64	.8906	22.622	2-5/8	2.625	66.7
--	.0197	.5	25/64	.3906	9.922	--	.9	22.860	2-3/4	2.750	69.9
--	.0236	.6	--	.3937	10	--	.9055	23	--	2.756	70
--	.025	.635	--	.4	10.160	29/32	.9063	23.019	2-7/8	2.875	73
--	.0276	.7	13/32	.4062	10.319	59/64	.9219	23.416	--	2.953	75
--	.0295	.75	--	.4134	10.5	15/16	.9375	23.813	3	3.000	76.2
1/32	.0313	.794	27/64	.4219	10.716	--	.9449	24	--	3.150	80
--	.0315	.8	--	.4331	11	61/64	.9531	24.209	3-1/4	3.250	82.6
--	.0354	.9	7/16	.4375	11.113	31/32	.9688	24.606	--	3.346	85
--	.0394	1	29/64	.4531	11.509	--	.9843	25	3-1/2	3.500	88.9
3/64	.0469	1.191	15/32	.4688	11.906	1	1.000	25.400	--	3.543	90
--	.0472	1.2	--	.4724	12	--	1.024	26	--	3.740	95
--	.05	1.270	31/64	.4844	12.303	1-1/16	1.062	26.988	3-3/4	3.750	95.3
--	.0551	1.4	--	.4921	12.5	--	1.063	27	--	3.937	100
--	.0591	1.5	1/2	.5	12.700	--	1.102	28	4	4.000	101.6
1/16	.0625	1.588	--	.5118	13	1-1/8	1.125	28.575	--	4.331	110
--	.0669	1.7	33/64	.5156	13.097	--	1.142	29	4-1/2	4.500	114.3
--	.075	1.905	17/32	.5326	13.494	--	1.181	30	--	4.724	120
5/64	.0781	1.984	--	.5315	13.5	1-3/16	1.188	30.16	5	5.000	127
--	.0787	2	35/64	.5469	13.891	--	1.221	31	--	5.118	130
--	.0906	2.3	--	.5512	14	1-1/4	1.250	31.75	5-1/2	5.500	139.7
3/32	.0938	2.381	9/16	.5625	14.288	--	1.260	32	--	5.512	140
--	.0984	2.5	--	.571	14.5	--	1.299	33	--	5.906	150
--	.1	2.540	37/64	.5781	14.684	1-5/16	1.312	33.34	6	6.000	152.4
--	.1024	2.6	--	.5906	15	--	1.339	34	--	6.299	160
7/64	.1093	2.776	19/32	.5938	15.081	1-3/8	1.375	34.93	6-1/2	6.500	165.1
--	.1181	3	--	.6	15.240	--	1.378	35	7	7.000	177.8
1/8	.125	3.175	39/64	.6094	15.478	--	1.417	36	--	7.087	180
--	.1378	3.5	--	.6103	15.5	1-7/16	1.438	36.51	7-1/2	7.500	190.5
9/64	.1406	3.572	5/8	.6250	15.875	--	1.457	37	--	7.874	200
5/32	.1563	3.969	--	.6299	16	--	1.496	38	8	8.000	203.2
--	.1575	4	41/64	.6406	16.272	1-1/2	1.500	38.10	8-1/2	8.500	215.9
11/64	.1719	4.366	--	.6496	16.5	--	1.535	39	--	8.661	220
--	.1772	4.5	21/32	.6563	16.669	1-9/16	1.562	39.69	9	9.000	228.6
3/16	.1875	4.763	--	.6693	17	--	1.575	40	--	9.449	240
--	.1969	5	43/64	.6719	17.066	--	1.614	41	9-1/2	9.500	241.3
--	.2	5.080	11/16	.6875	17.463	1-5/8	1.625	41.28	--	9.843	250
13/64	.2031	5.159	--	.6890	17.5	--	1.654	42	10	10.000	254
--	.2165	5.5	--	.7	17.780	1-11/16	1.688	42.86	--	10.236	260
7/32	.2188	5.556	45/64	.7031	17.859	--	1.693	43	11	11.000	279.4
15/64	.2344	5.953	--	.7087	18	--	1.732	44	--	11.024	280
--	.2362	6	23/32	.7188	18.256	1-3/4	1.750	44.45	--	11.811	300
1/4	.25	6.350	--	.7283	18.5	--	1.772	45	12	12.000	304.8
--	.2559	6.5	47/64	.7344	18.653	--	1.811	46	13	13.000	330.2
17/64	.2656	6.747	--	.7480	19	1-13/16	1.813	46.04	--	13.780	350
--	.2756	7	3/4	.75	19.050	--	1.850	47	14	14.000	355.6
9/32	.2813	7.144	49/64	.7656	19.447	1-7/8	1.875	47.63	15	15.000	381
--	.2953	7.5	--	.7677	19.5	--	1.890	48	--	15.748	400
19/64	.2969	7.541	25/32	.7813	19.844	--	1.929	49	16	16.000	406.4

TD120/TD200 TEDDER INDEX (PAGE 3-3)

<u>FIG. NO.</u>	<u>PART NO.</u>	<u>FIG. NO.</u>	<u>PART NO.</u>	<u>FIG. NO.</u>	<u>PART NO.</u>	<u>FIG. NO.</u>	<u>PART NO.</u>				
2-3	4	330-011	1-3	11	70000-170	1-2	4	126782-001	1-8	3	127047-001
1-11	2	350-006	1-9	13	70000-170	1-2	5	126783-001	1-8	5	127048-001
1-9	7	351-014	1-1	3	70000-253	1-2	6	126784-001	1-8	6	127050-001
1-10	6	354-010	1-2	17	70000-253	1-8	12	126784-001	1-8	7	127051-001
1-3	6	358-010	1-1	13	70000-722	1-2	8	126785-001	1-8	9	127053-001
1-10	4	403-001	1-9	12	70000-722	1-2	9	126786-001	1-8	10	127054-001
1-9	8	409-001	2-2	20	81721-001	1-2	10	126787-001	1-8	15	127055-001
1-10	9	480-011	1-1		84530-160	1-8	21	126787-001	1-8	15	127056-001
1-3	17	483-005	1-1		84530-163	1-2	12	126788-001	1-8	11	127057-001
2-1	9	483-005	1-9	6	88546-001	1-2	13	126790-001	1-8	19	127059-001
1-12	5	483-005	2-2	16	97369-001	1-2	14	126791-001	1-8	17	127061-001
1-12	11	483-049	1-3	3	100846-001	1-2	15	126792-001	1-8	16	127062-001
1-10	17	485-007	1-9	11	103201-001	1-3	1	126793-001	1-8	18	127063-001
1-10	16	485-011	1-11	3	103201-001	1-6	6	126795-001	2-2	1	127064-001
2-1	8	1086-021	2-3	6	106991-001	1-11	5	126795-001	2-2	2	127065-001
1-2	11	1443-017	2-3	12	106997-001	1-3	4	126796-001	2-2	3	127066-001
2-1	7	1788-001	2-3	13	106998-001	1-3	6	126798-001	2-2	4	127067-001
1-12	10	1788-023	2-3	1	107620-001	1-6	13	126798-001	2-2	5	127068-001
1-12	4	1788-039	1-3	5	114753-001	1-10	14	126798-001	2-2	6	127069-001
1-3	16	1789-049	1-3	2	115641-001	1-3	7	126799-001	2-2	7	127070-001
1-12	8	1789-133	1-5	15	115641-001	1-3	14	126799-001	2-1	1	127071-001
1-3	10	1801-021	1-6	7	115641-001	1-3	8	126801-001	2-1	2	127072-001
1-12	9	1803-193	1-7	12	115641-001	1-3	9	126802-001	2-1	3	127073-001
1-3	7	1809-001	1-8	22	115641-001	1-3	10	126803-001	2-1	4	127134-001
1-10	7	1809-003	1-9	5	115641-001	1-5	1	126804-001	2-1	5	127135-001
1-11	1	1836-001	1-11	6	115641-001	1-5	2	126805-001	2-1	6	127136-001
1-3	15	1978-025	2-3	7	119212-001	1-5	3	126806-001	2-2	8	127163-001
1-1	5	2326-216	1-10	1	122395-001	1-5	4	126807-001	2-2	7	127164-001
1-2	7	2326-216	1-10	1	122395-001	1-8	2	126807-001	1-8	4	129663-001
1-1	12	2326-310	1-10	2	122408-001	1-5	5	126808-001	2-2	21	129717-001
1-2	19	2326-310	1-10	5	122418-001	1-5	6	126809-001	1-12	12	130901-001
1-1	8	2326-621	1-10	13	122421-001	1-5	7	126810-001	1-12	7	130906-001
1-7	19	2326-621	1-10	13	122422-001	1-5	8	126811-001	1-12	13	130907-001
1-1	7	2326-902	1-10	3	122441-001	1-5	9	126812-001	1-12	3	130910-001
1-4	5	2326-902	1-4	1	126775-001	1-5	11	126814-001	1-11	4	131034-001
2-2	19	4253-001	1-4	6	126775-003	1-6	14	126814-001	2-1	1	131036-001
1-10	11	17393-001	1-4	7	126775-005	1-7	14	126814-001	2-3	1	131036-001
1-10	15	17393-001	1-4	8	126775-007	1-5	12	126815-001	2-3	3	131037-001
2-3	15	19511-001	1-4	9	126775-009	1-5	13	126816-001	2-1	1	131038-001
2-3	14	19512-001	1-4	10	126775-011	1-5	14	126817-001	2-3	1	131038-001
2-3	9	20383-001	1-4	11	126775-013	1-6	2	126819-001	2-3	3	131039-001
1-10	12	24772-001	1-4	12	126775-015	1-7	11	126819-001	1-3	5	131048-001
2-3	10	51181-001	1-4	13	126775-017	1-6	1	126820-001	1-12	6	131051-001
2-3	8	52919-001	1-4	14	126775-019	1-6	4	126821-001	1-9	9	131052-001
2-3	11	52920-001	1-4	15	126775-021	1-6	5	126822-001	1-9	10	131055-001
2-3	5	53167-001	1-4	16	126775-023	1-5	17	126823-001	1-3	9	131056-001
1-10	8	53654-001	1-4	17	126775-025	1-5	19	126825-001	1-3	9	131057-001
2-2	11	53843-143	1-4	18	126775-027	1-7	7	126825-001	1-12	13	131061-001
2-2	10	53843-343	1-4	19	126775-029	1-5	18	126826-001	1-8	8	131068-001
2-2	18	53843-363	1-4	20	126775-031	1-7	9	126826-001	1-8	14	131069-001
2-2	15	54387-001	1-4	21	126775-033	1-5	10	126827-001	1-5	17	131073-001
2-2	9	57950-001	1-4	22	126775-035	1-6	9	126828-001	1-5	14	131074-001
2-2	13	58151-001	1-4	23	126775-037	1-6	10	126829-001	1-2	20	131075-001
2-2	12	59634-001	1-4	24	126775-039	1-7	6	126830-001	1-8	19	131076-001
1-12	1	64108-001	1-4	25	126775-041	1-7	15	126831-001	1-6	3	131078-001
2-2	14	66996-001	1-4	26	126775-043	1-7	18	126833-001	1-7	17	131078-001
1-1	4	7000A-140	1-4	27	126775-045	1-7	16	127035-001	1-3	1	131079-001
1-2	18	7000A-140	1-4	28	126775-047	1-8	13	127035-001	1-7	15	131080-001
1-1	2	7000A-141	1-4	29	126775-049	1-7	10	127036-001	1-7	15	131081-001
1-2	16	7000A-141	1-4	30	126775-051	1-5	16	127037-001	1-10	2	131082-001
1-1	10	7000A-281	1-4	31	126775-053	1-7	13	127037-001	1-10	2	131083-001
1-3	13	7000A-281	1-4	2	126776-001	1-7	8	127038-001	2-2	17	131479-001
1-1	9	7000A-282	1-4	3	126778-001	1-6	11	127039-001			
1-2	22	7000A-282	1-2	1	126779-001	1-6	12	127040-001			
1-3	12	7000A-282	1-2	2	126780-001	1-7	1	127041-001			
1-1	11	7000A-353	1-6	8	126780-001	1-7	2	127042-001			
1-2	21	7000A-353	1-8	20	126780-001	1-7	4	127043-001			
1-1	1	70000-108	1-10	18	126780-001	1-7	5	127044-001			
1-4	4	70000-108	1-12	2	126780-001	1-7	3	127045-001			
1-1	6	70000-170	1-2	3	126781-001	1-8	1	127046-001			





